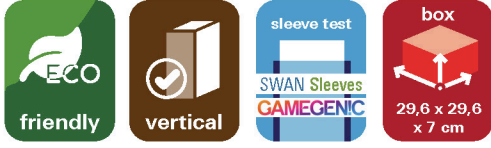


Trickster's Trunk

Compatible with Trickerion and the Dahlgaard's Gifts expansion

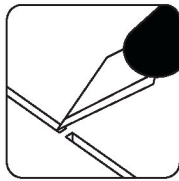
This product is not licensed, and is up for change at any time in the future.



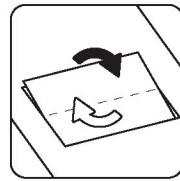
Assembly Guide



Watch our beginners guide videos on youtube. Just scan the QR code and get started!

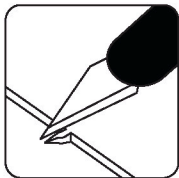


Use an exacto knife to cut the bits connecting the parts to the frame.

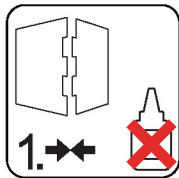


Remove the parts from the frame with a rotating motion along the axis formed by the bits you just cut.

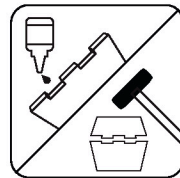
Use **wood glue** for assembly. Always dry fit the parts first to make sure the components are correct ones. If you encounter any issues, please contact us at info@laserox.net or our Facebook page at facebook.com/laseroxinserts.



Use the exacto knife to remove any of the remaining connection bits.



Always dry-fit the parts to together without any glue to make sure you are assembling the correct parts.

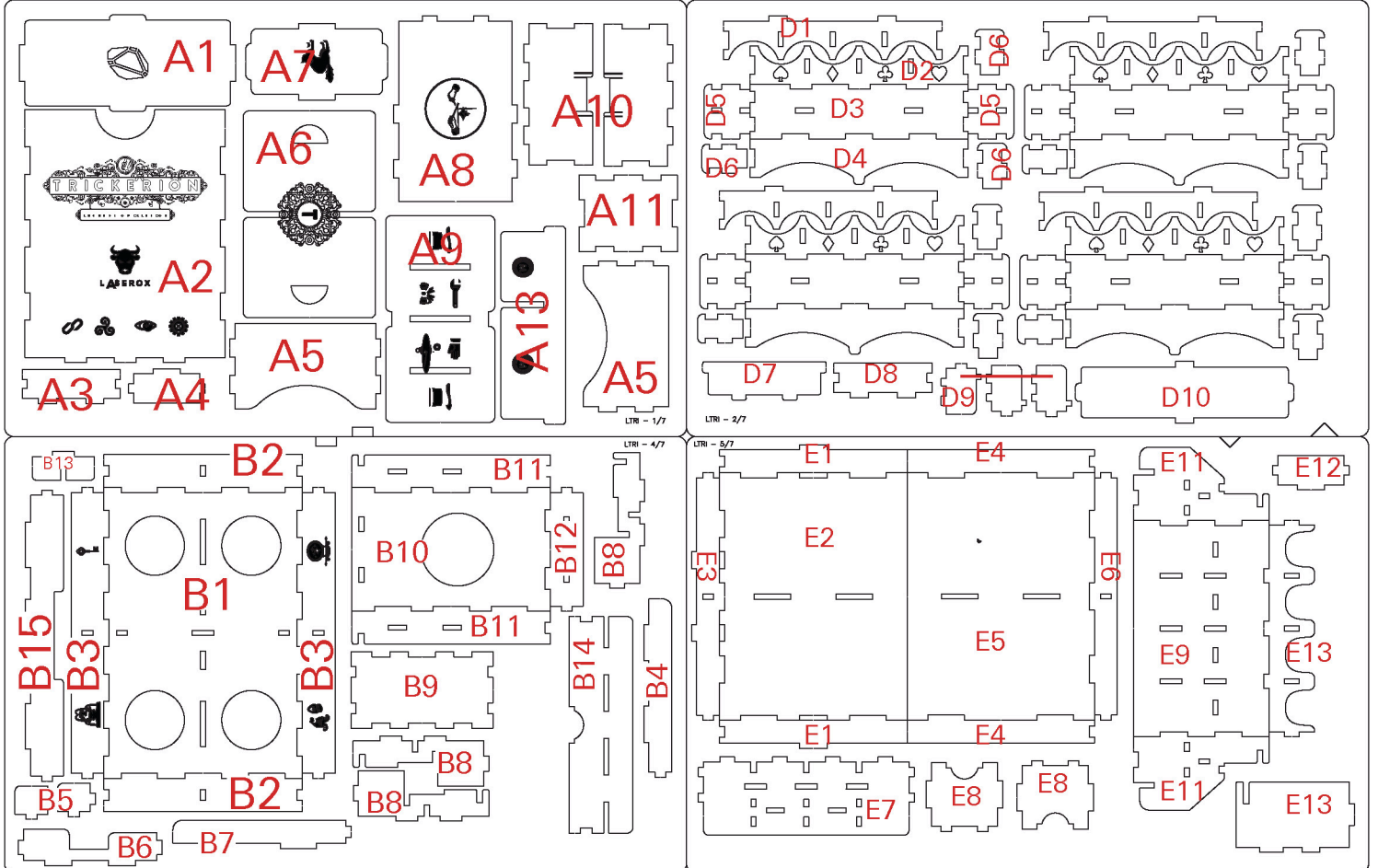


Use a drop of glue along the joints and press the parts together or use a hobby hammer with slight force for assembly.

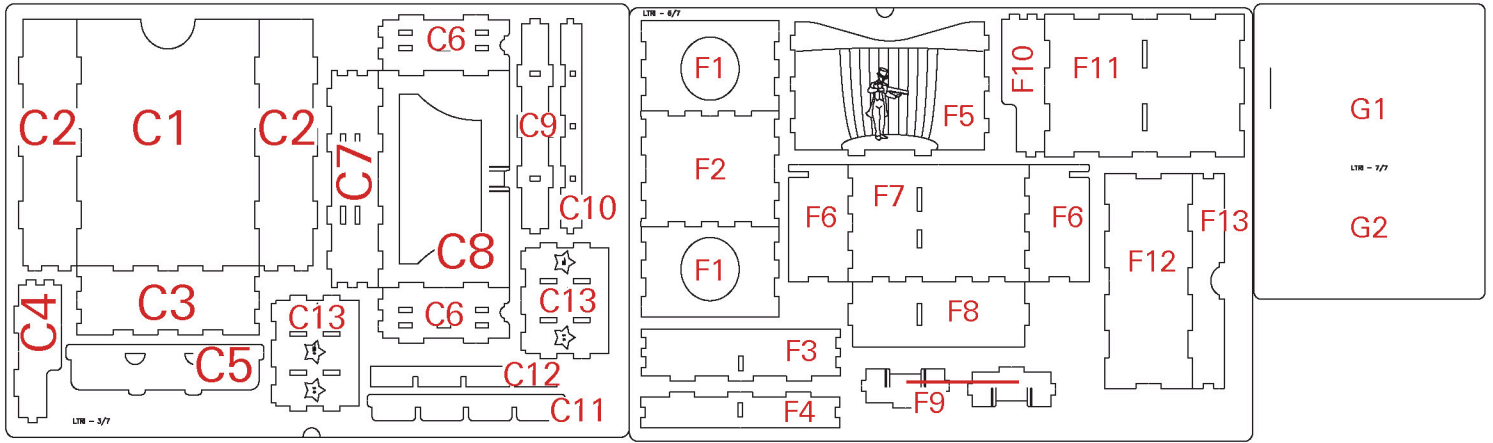


14+ WARNING Choking hazard! Not for children under 14 years.

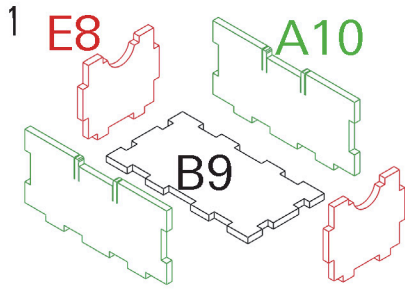
Part numbers



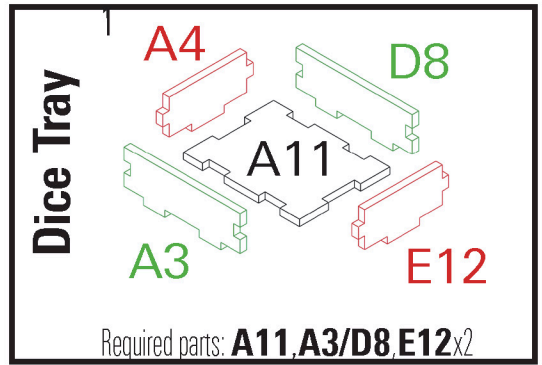
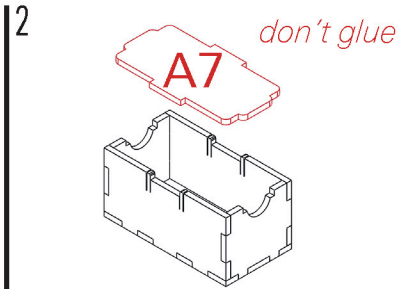
Part numbers II



Prophecy Tokens

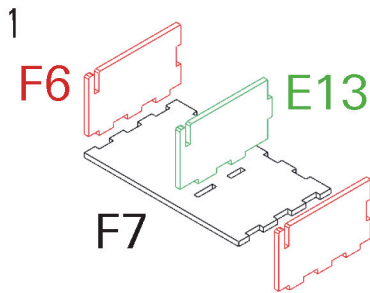


Required parts: **E8x2, B9, A10x2, A7**

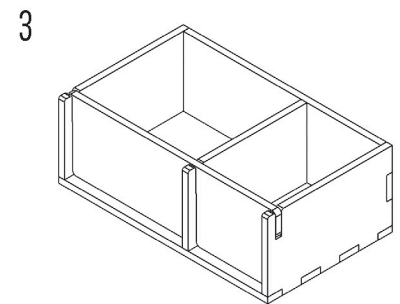
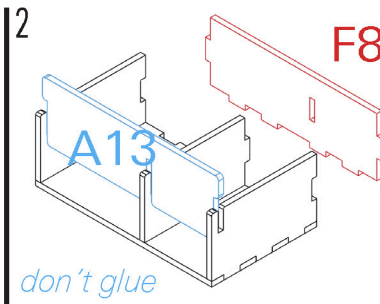


Required parts: **A11, A3/D8, E12x2**

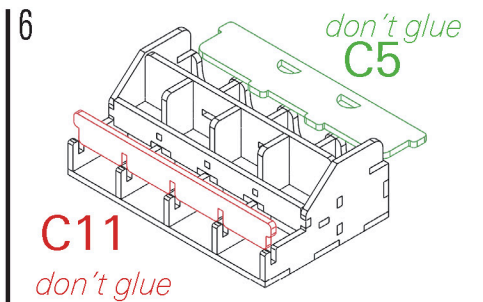
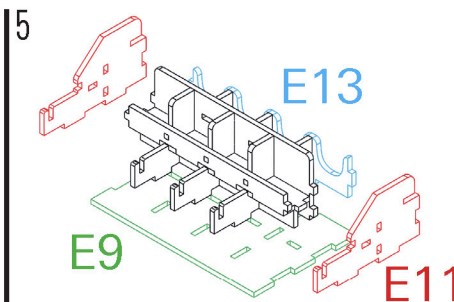
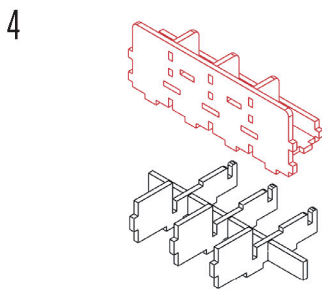
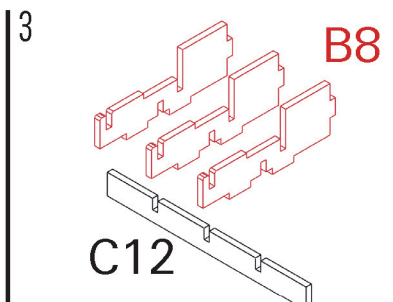
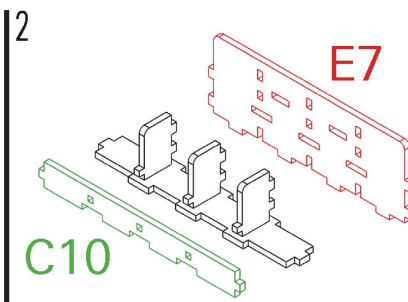
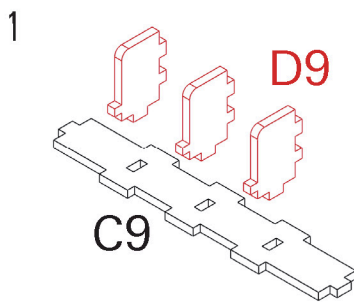
Coin tray



Required parts: **F7, F6x2, E13, A13, F8**

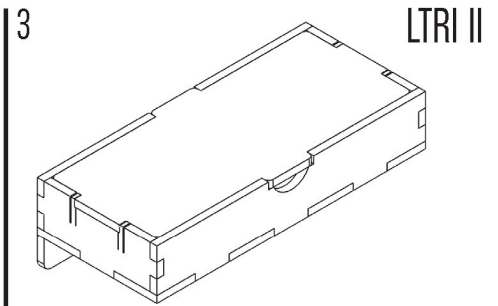
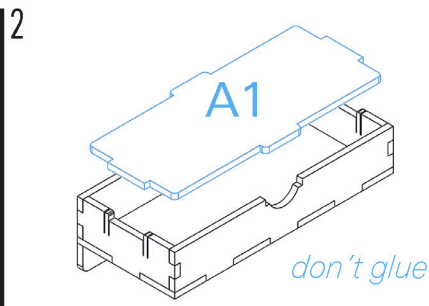
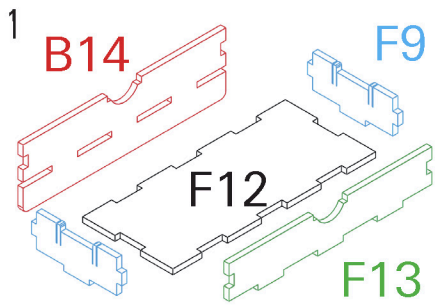


Components



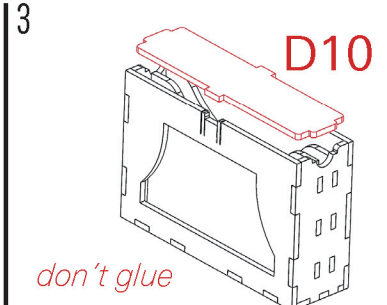
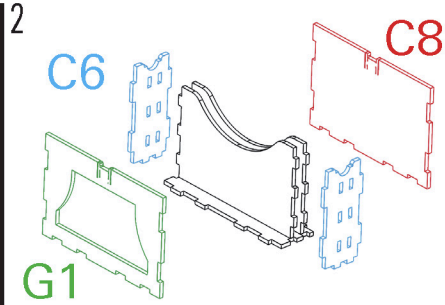
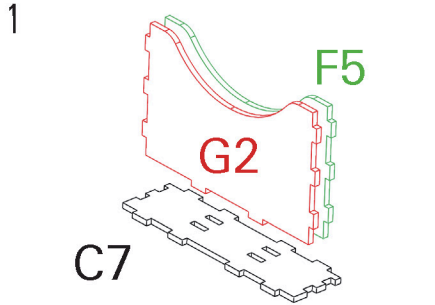
Required parts: **C9, D9x3, C10, E7, C12, B8x3, E9, E13, E11x2, C11, C5,**

Shards



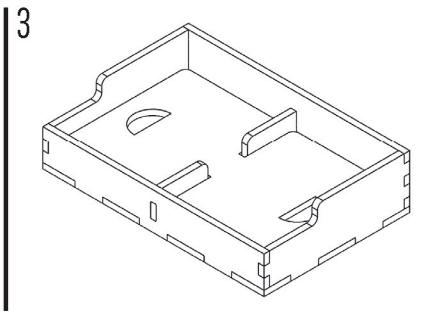
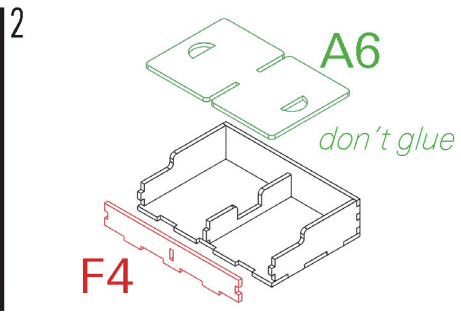
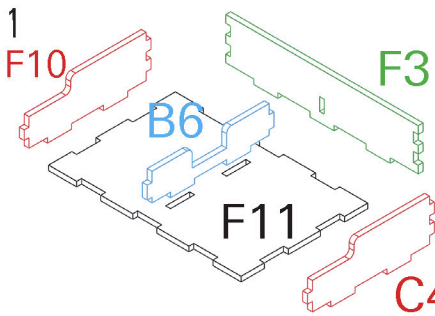
Required parts: **F12, F9x2, F13, B14, A1**

Theater Cards



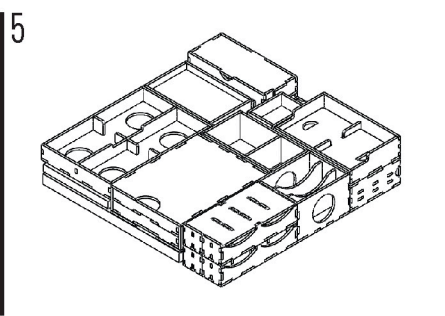
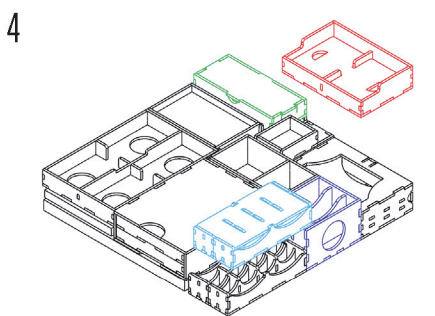
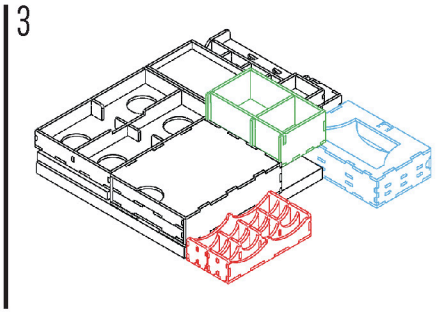
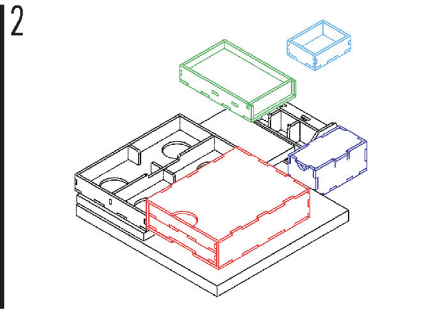
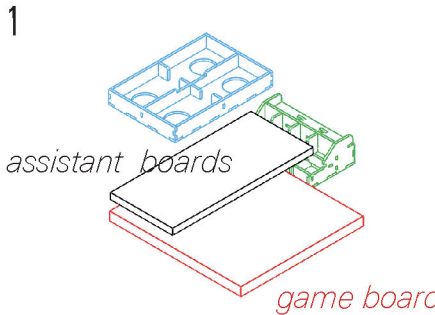
Required parts: **C7, G2, F5, G1, C6x2, C8, D10**

Player Cards



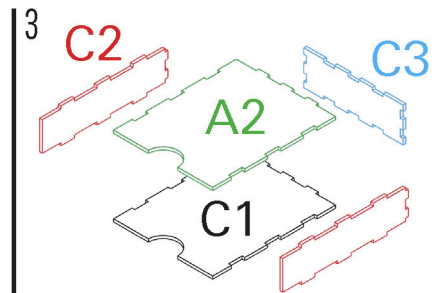
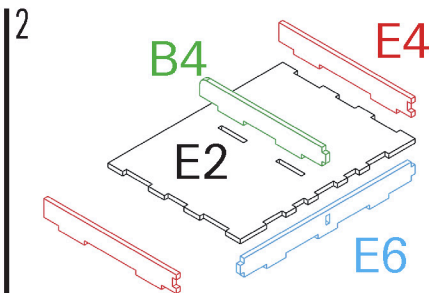
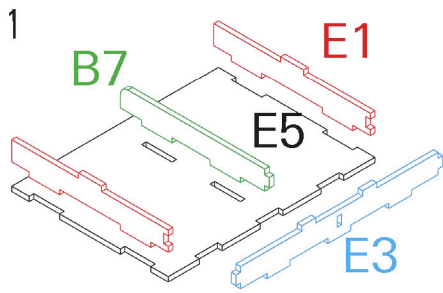
Required parts: **F11, F3, B6, C4/F10, F4, A6**

Assembly



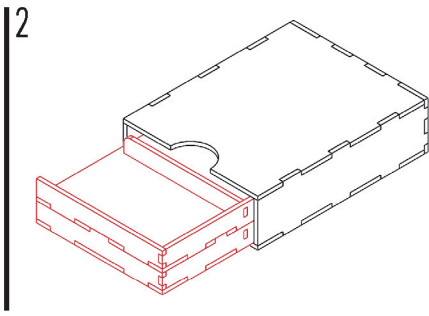
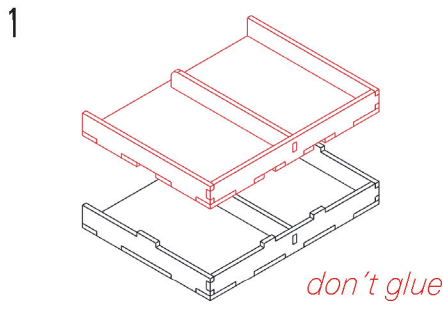
Required parts: **B3, F1, D3, D4, D5x2, D7, D8**

Card trays



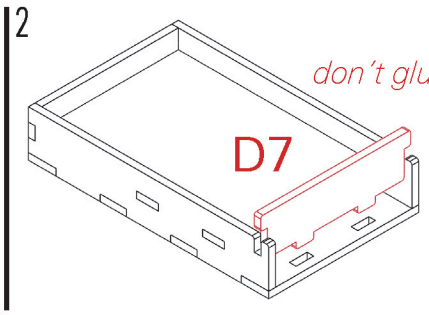
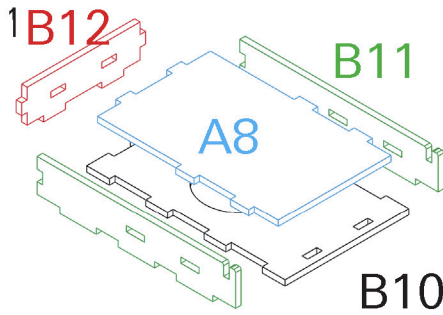
Required parts: E5, E3, B7, E1x2, E2, E6, E4x2, B4, C1, A2, C3, C2x2

Card tray assembly



don't glue

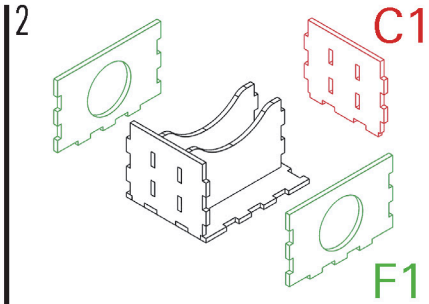
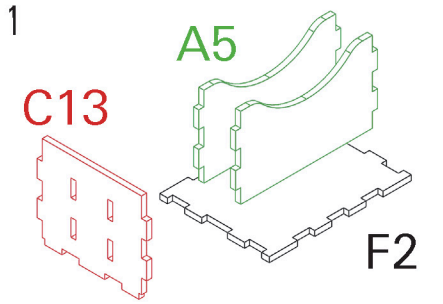
Magician box



don't glue

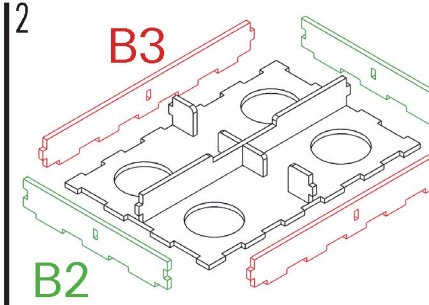
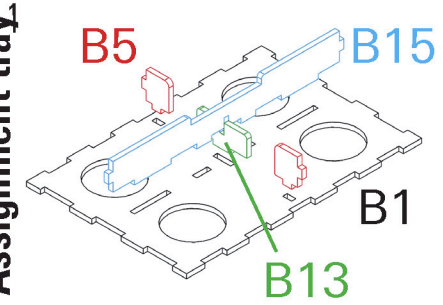
Required parts: B10, A8, B12, B11x2, D7,

Small card tray



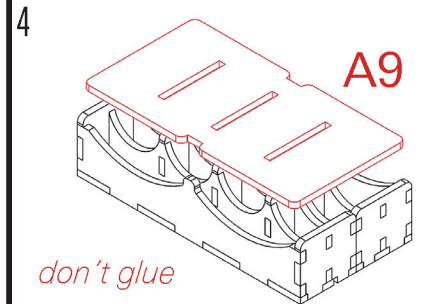
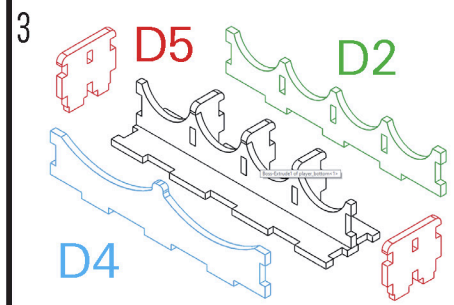
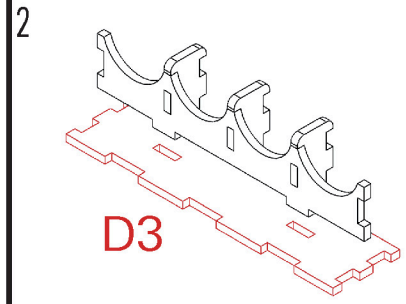
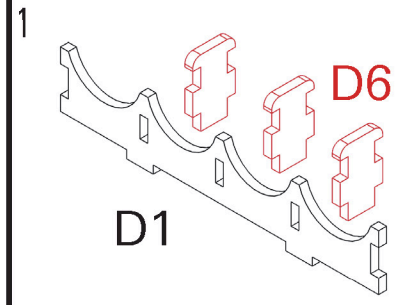
Required parts: F2, A5x2, C13x2, F1x2,

Permanent Assignment tray



Required parts: B1, B5x2, B3x2, B2x2, B15, B13,

Player parts



don't glue

Required parts: D1, D6x3, D3, D2, D4, A9, D5x2

Assemble 4X