

# TerrArranger: Merchants

LTMY-ME

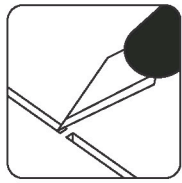


## Compatible with Terra Mystica: Merchants of the Seas

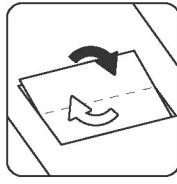
This product is not licensed and is up for change at any time in the future.



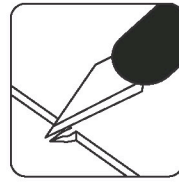
## Assembly Guide



Use an exacto knife to cut the bits connecting the parts to the frame.

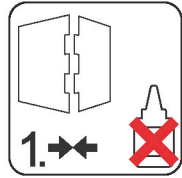


Remove the parts from the frame with a rotating motion along the axis formed by the bits you just cut.

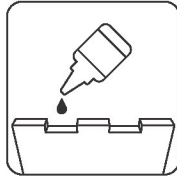


Use the exacto knife to remove any of the remaining connection bits.

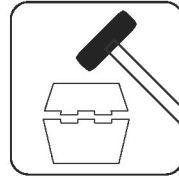
Use **wood glue** for assembly. Always dry fit the parts first to make sure the components are correct ones. If you encounter any issues, please contact us at [info@laserox.net](mailto:info@laserox.net) or our Facebook page at [facebook.com/laseroxinserts](https://facebook.com/laseroxinserts).



Always dry-fit the parts to together without any glue to make sure you are assembling the correct parts.



Use a drop of glue along the joints and hold it in place until the glue has sufficiently dried.

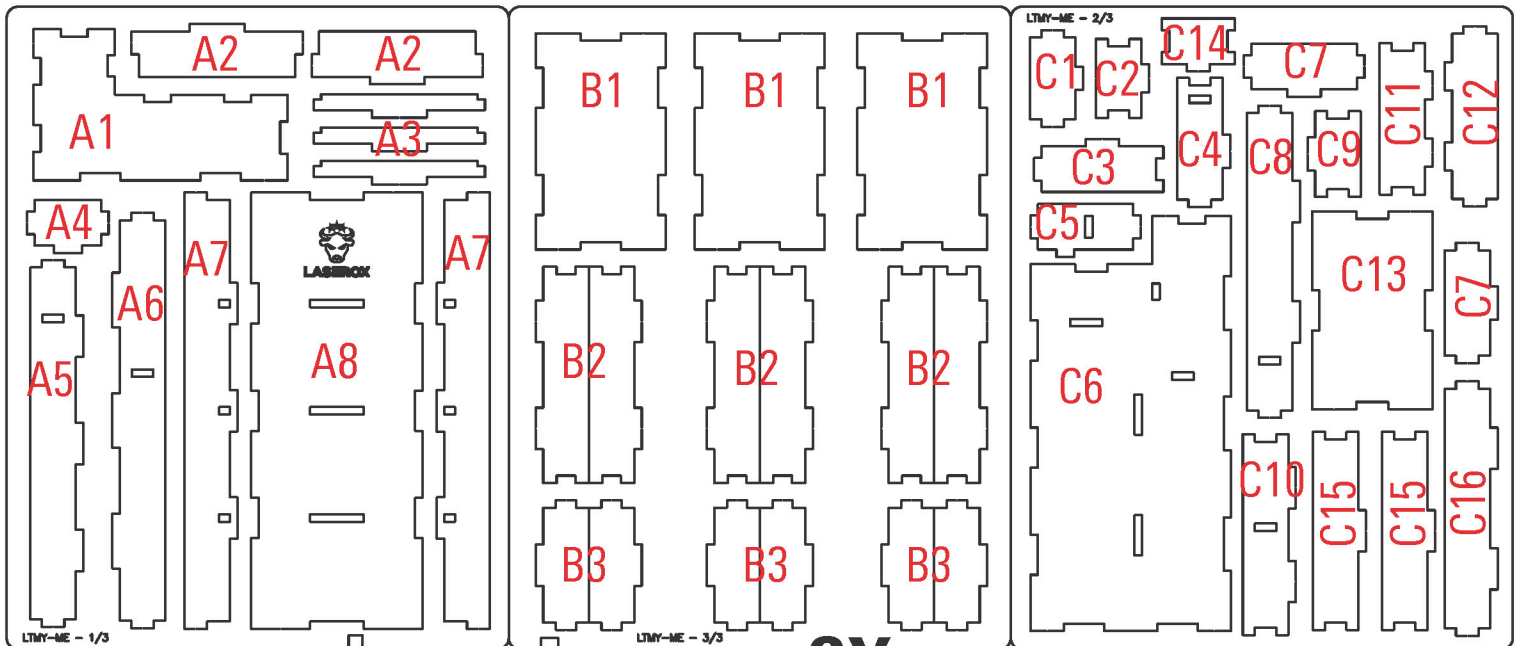


Press the parts together or use a hobby hammer with slight force for assembly.



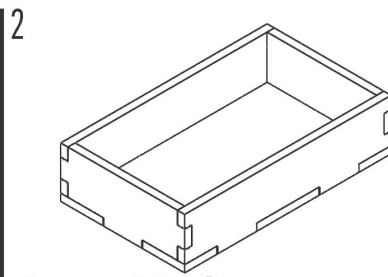
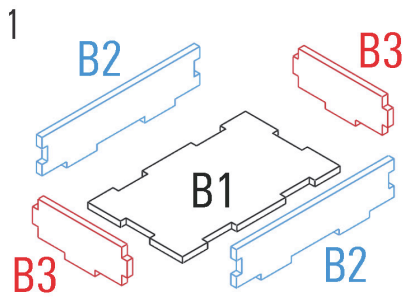
**14+** WARNING Choking hazard!  
Not for children under 14 years.

## Part numbers



2X

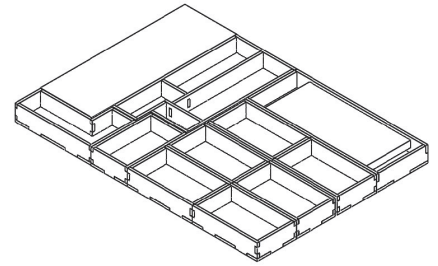
## Faction cards



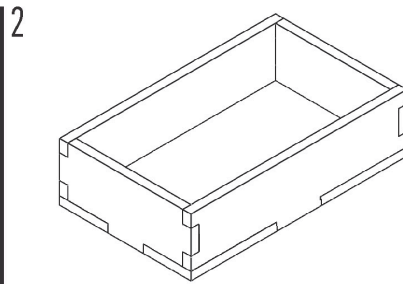
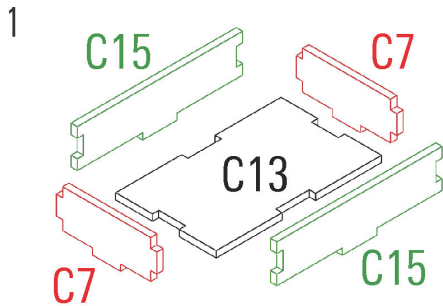
Assemble 6x

Required parts: **B1x6, B2x12, B3x12**

## Assembly

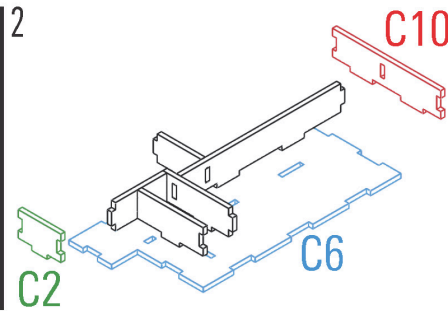
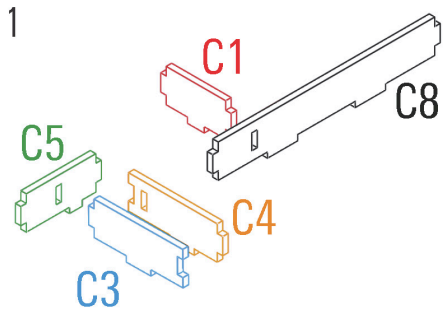


## Fire-Ice

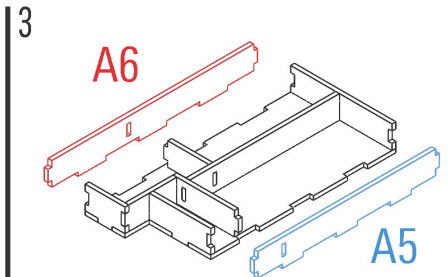


Required parts: **C7x2, C13, C15x2**

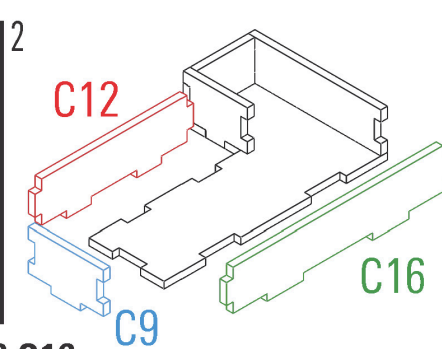
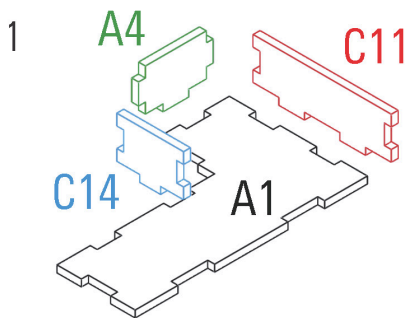
## Starting tiles



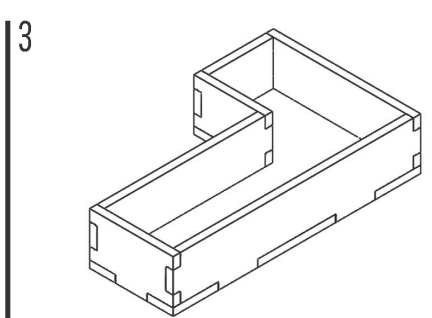
Required parts: **A5, A6, C1, C2, C3, C4, C5, C6, C8, C10**



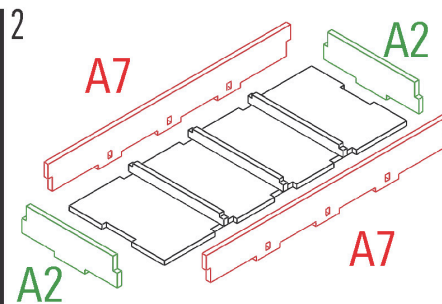
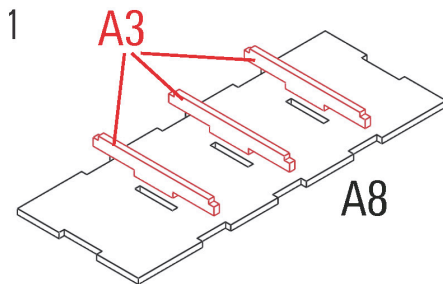
## Special tray



Required parts: **A1, A4, C9, C14, C11, C12, C16**



## Bonus Tiles



Required parts: **A2x2, A3x3, A7x2, A8**

