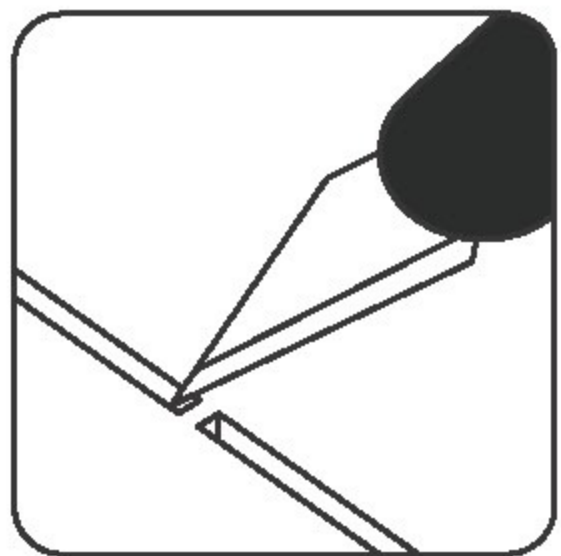


# Modular Paint Rack

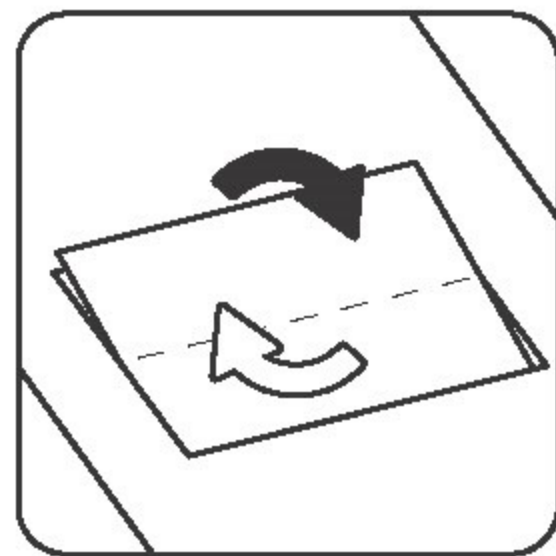
## 90° Riser



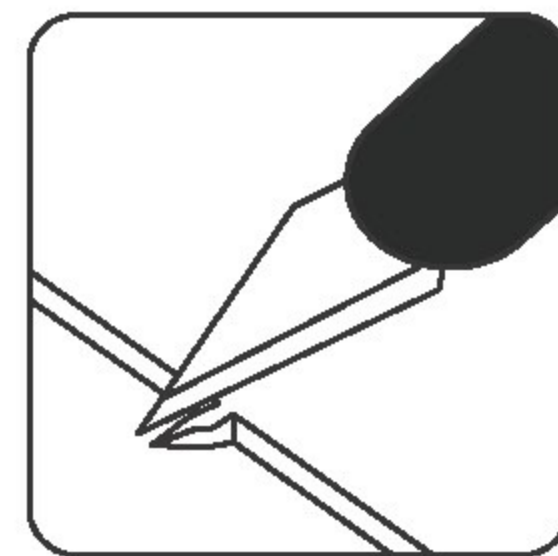
## Assembly Guide



Use an exacto knife to cut the bits connecting the parts to the frame.

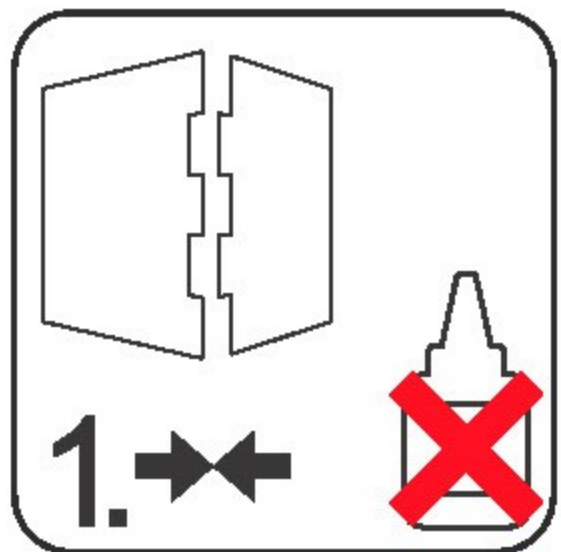


Remove the parts from the frame with a rotating motion along the axis formed by the bits you just cut.

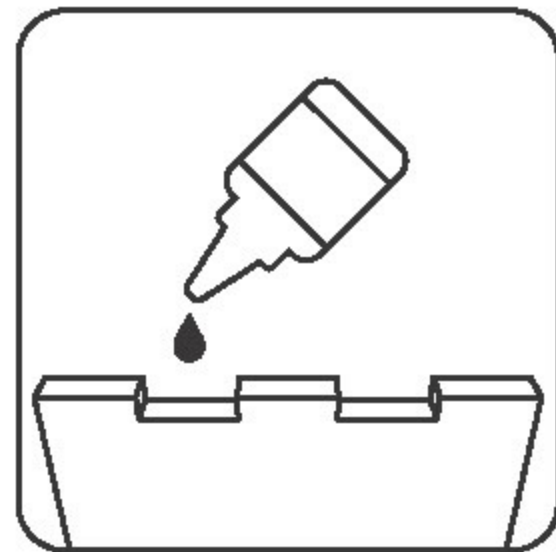


Use the exacto knife to remove any of the remaining connection bits.

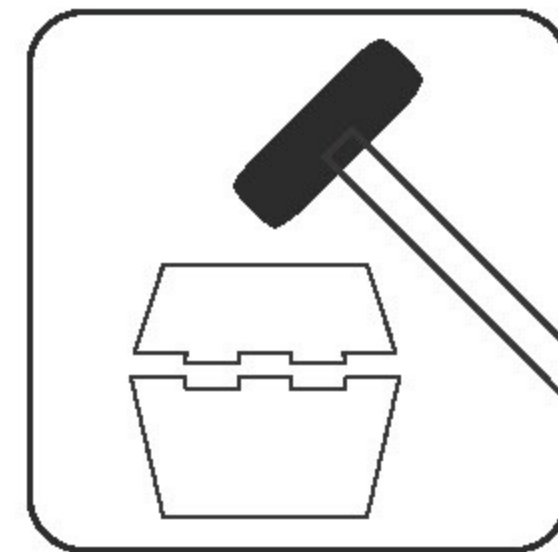
Use **wood glue** for assembly. Always dry fit the parts first to make sure the components are correct ones. If you encounter any issues, please contact us at [info@laserox.net](mailto:info@laserox.net) or our Facebook page at [facebook.com/laseroxinserts](https://facebook.com/laseroxinserts).



Always dry-fit the parts to together without any glue to make sure you are assembling the correct parts.



Use a drop of glue along the joints and hold it in place until the glue has sufficiently dried.

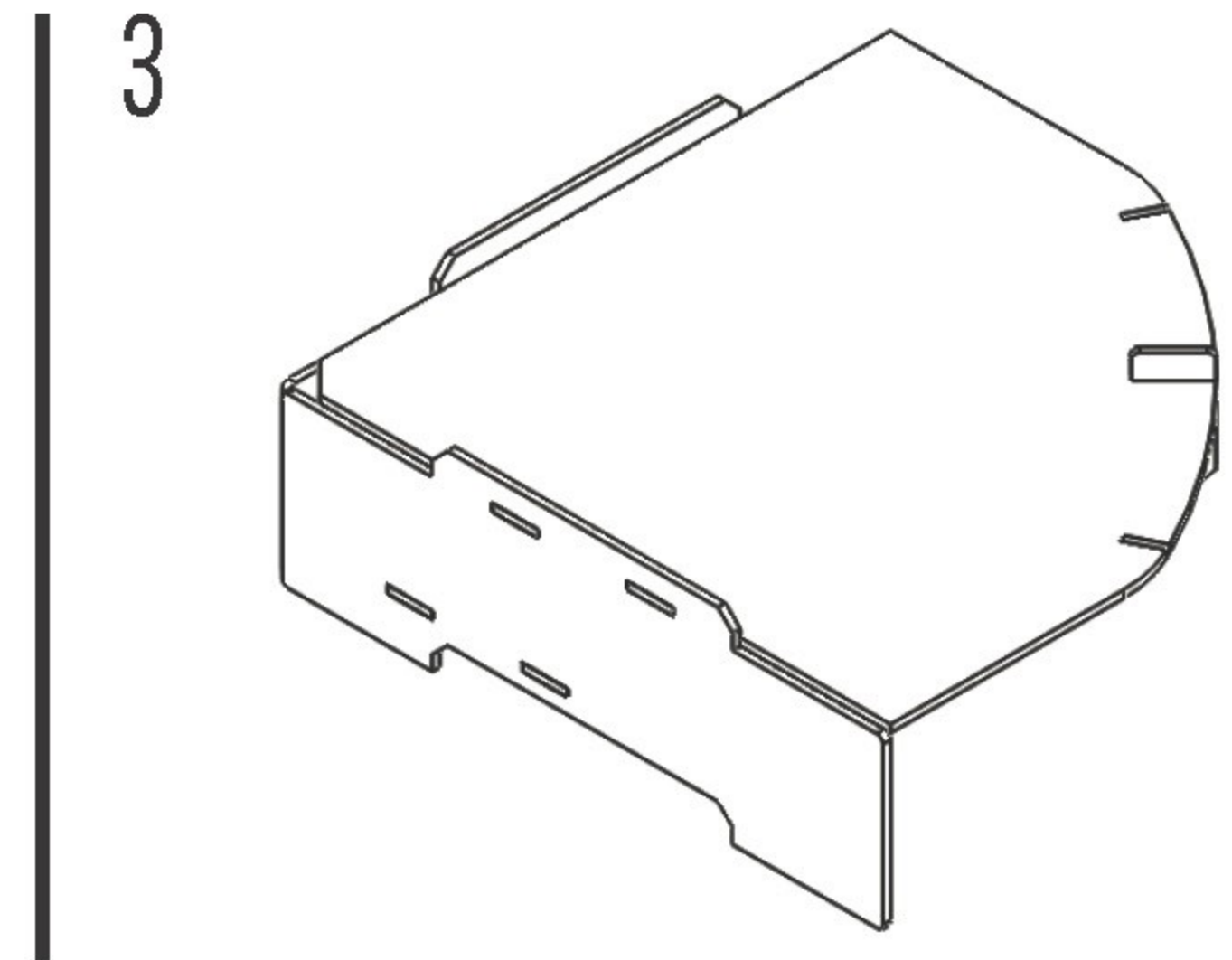
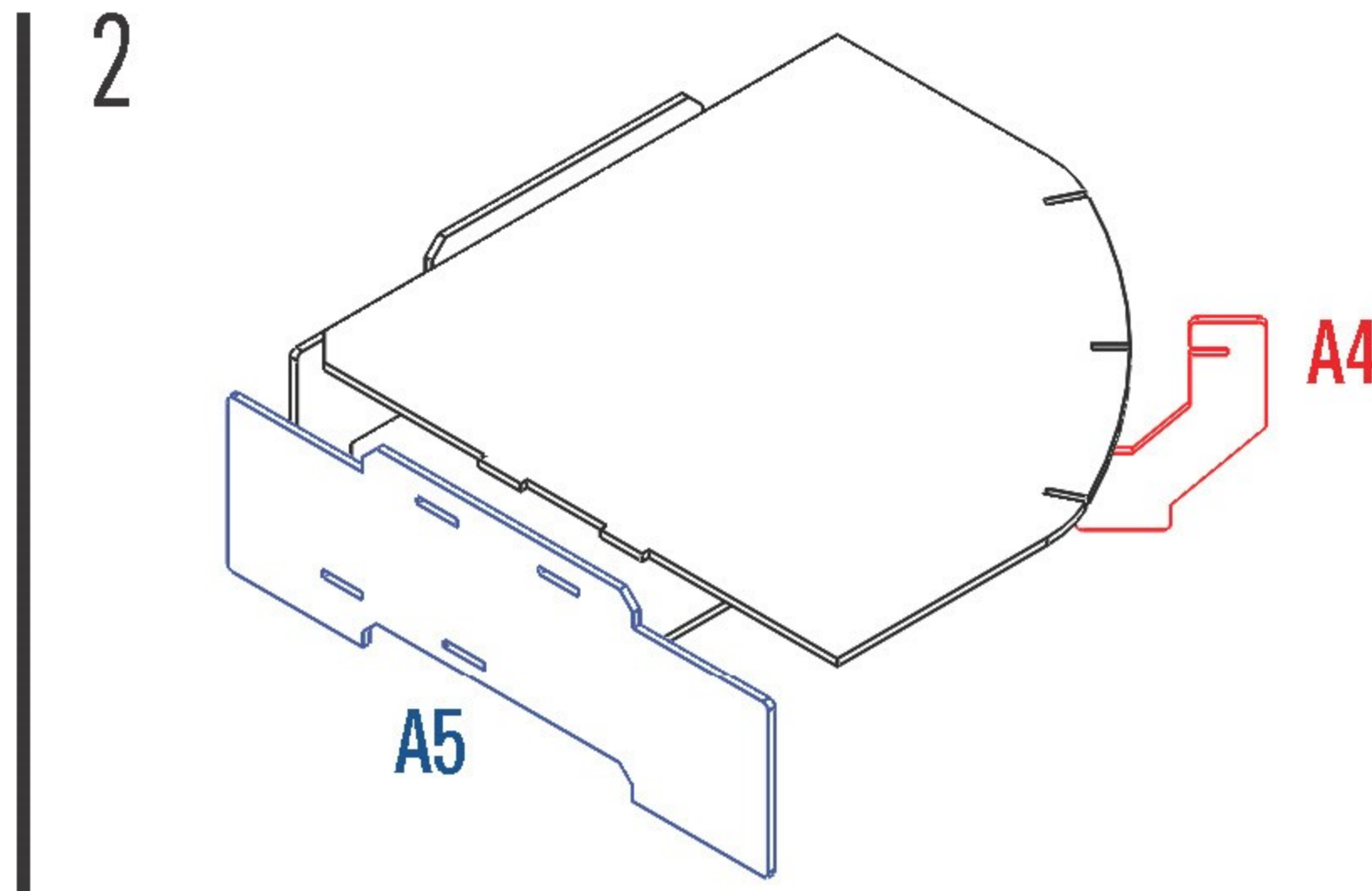
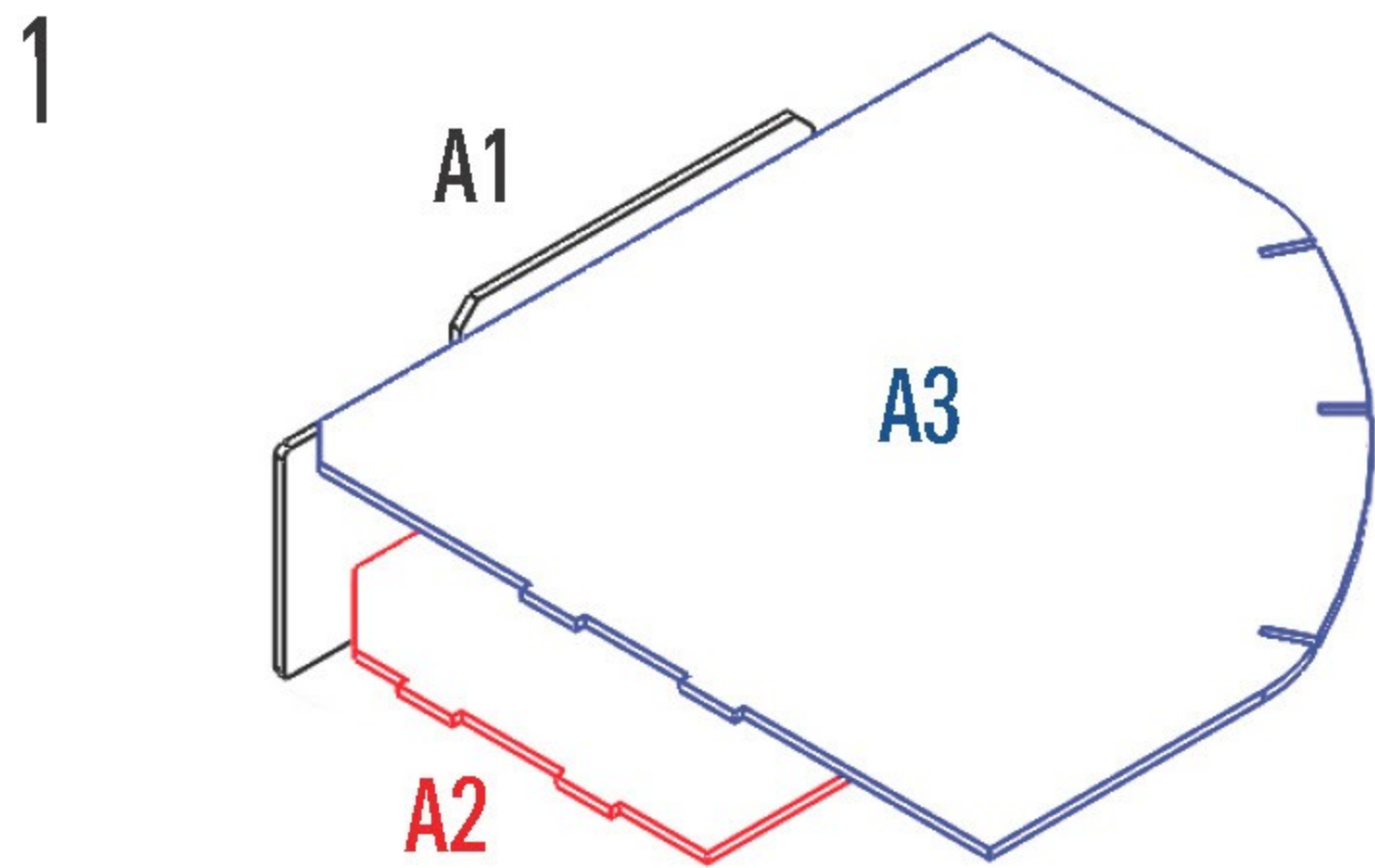
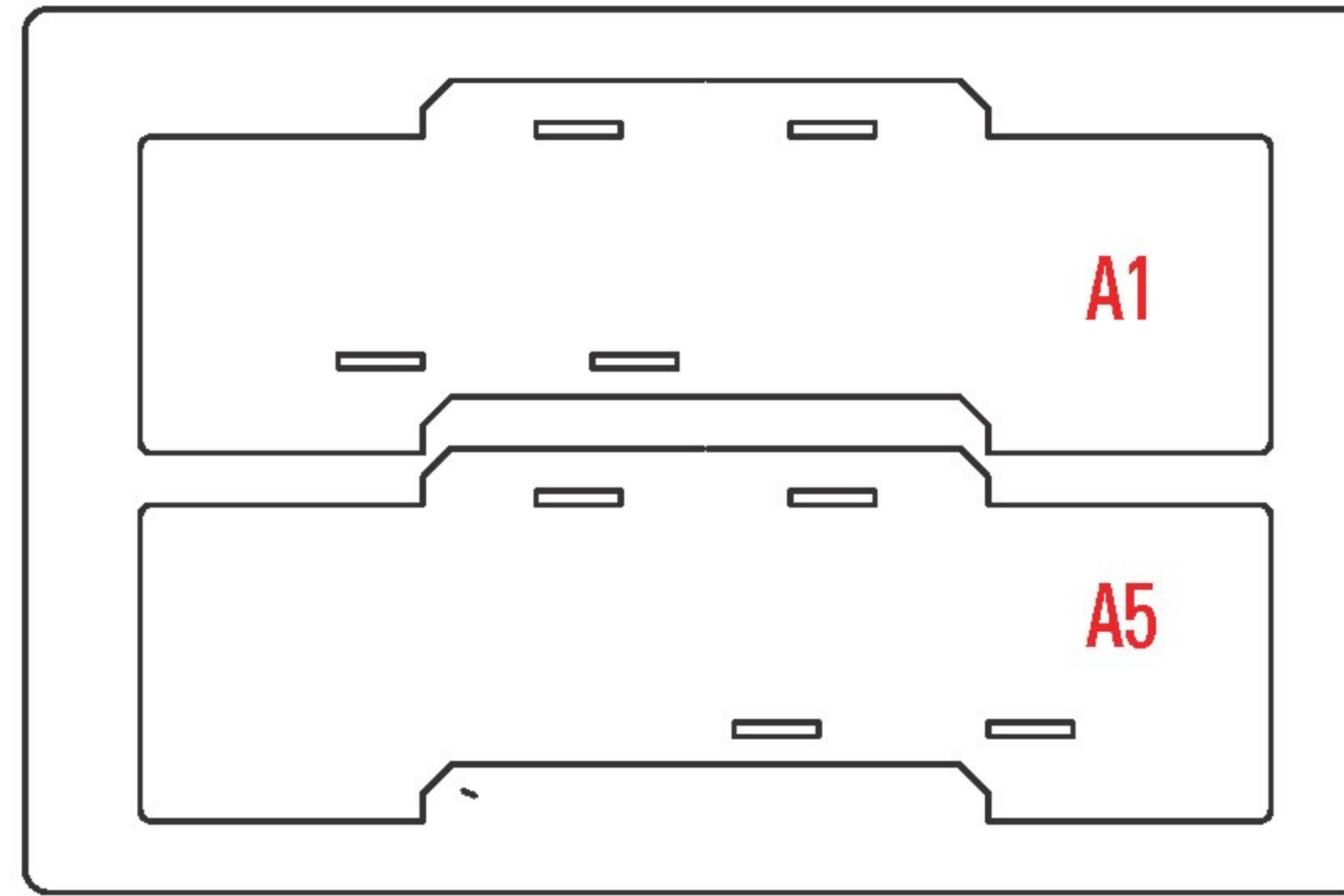
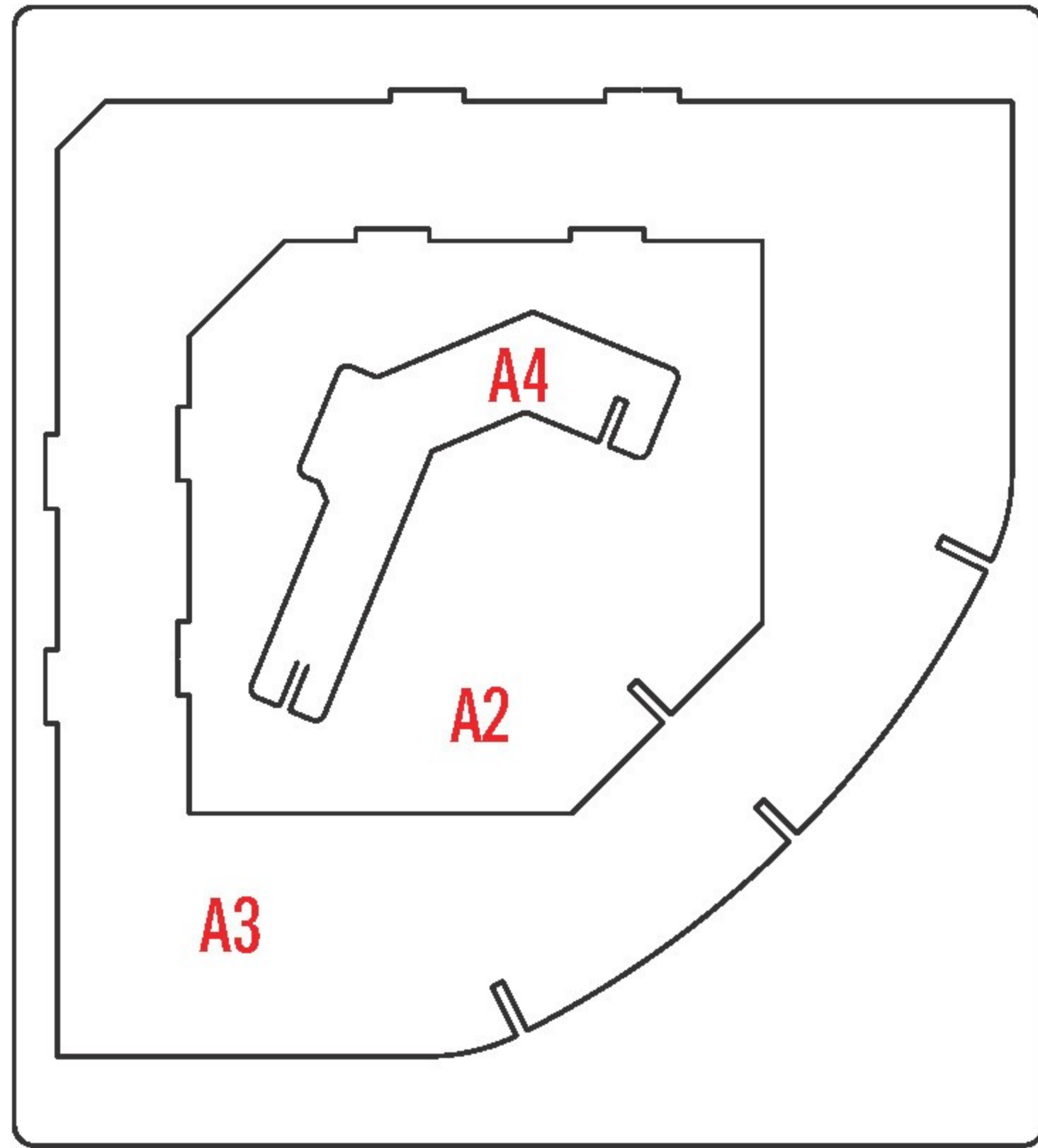


Press the parts together or use a hobby hammer with slight force for assembly.



**WARNING** Choking hazard!  
Not for children under 3 years.





[www.laserox.net](http://www.laserox.net)

**MADE IN HUNGARY**  
2092 Budakeszi, Tiefenweg 39. Hungary

