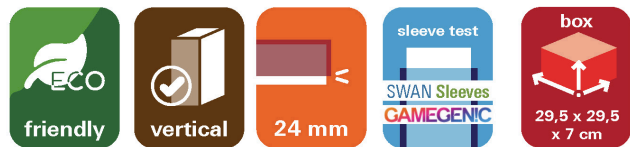


Outer Rim Unfinished Business

LOTRUB

Compatible with Star Wars: Outer Rim - Unfinished Business® Expansion

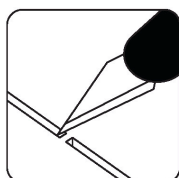
This upgrade kit is compatible with Star Wars: Outer Rim - Unfinished Business® Expansion.
This product is not licensed and is up for change at any time in the future.
Needs Outer Rim Organizer to work.



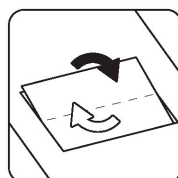
Assembly Guide



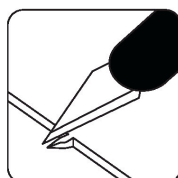
Watch our beginners guide videos on youtube. Just scan the QR code and get started!



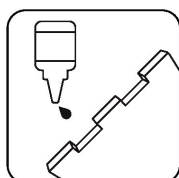
Use an exacto knife to cut the bits connecting the parts to the frame.



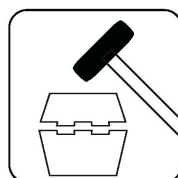
Remove the parts from the frame with a rotating motion along the axis formed by the bits you just cut.



Use the exacto knife to remove any of the remaining connection bits.



Most joints are press-fit, but some joints might require a drop of glue to ensure a strong bond.



Press the parts together or use a hobby hammer with slight force for assembly.



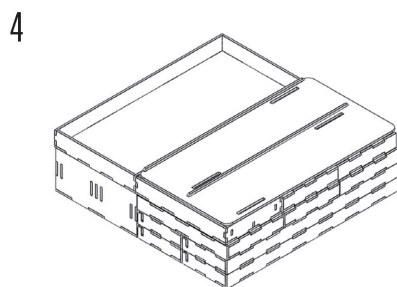
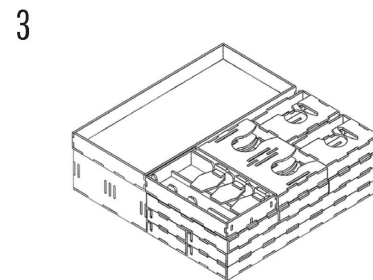
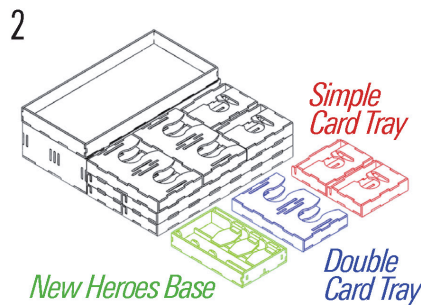
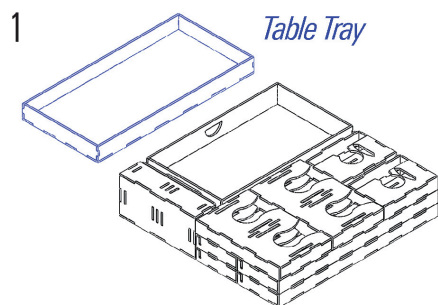
LASEROX

Use wood glue for assembly. If you encounter any issues, please contact us at info@laserox.net



WARNING: Not a toy. Not suitable for children under 14 years of age.

Box Assembly



Share your creation!

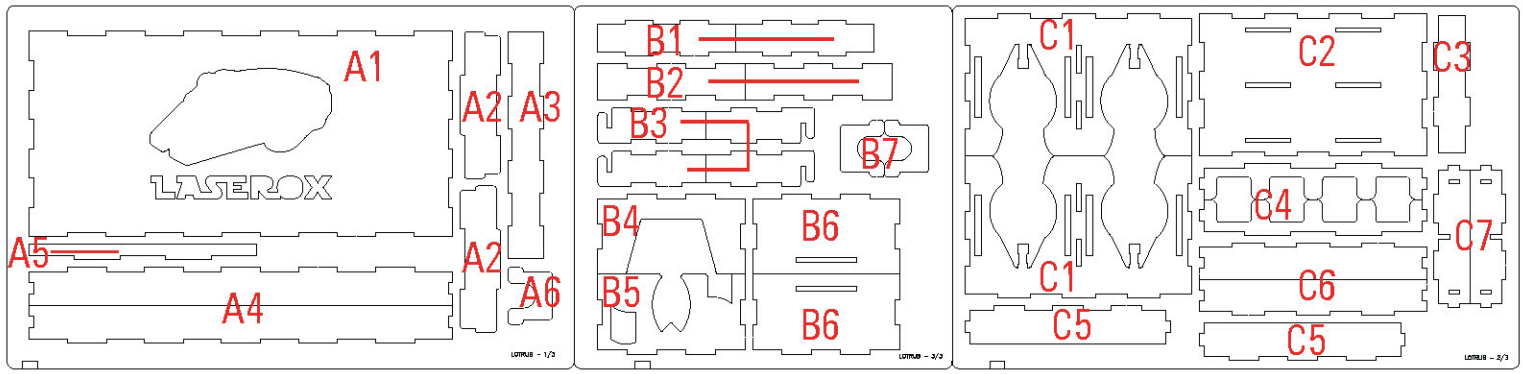


#laseroxinserts

Watch our "How it fits" video and get your game organized!

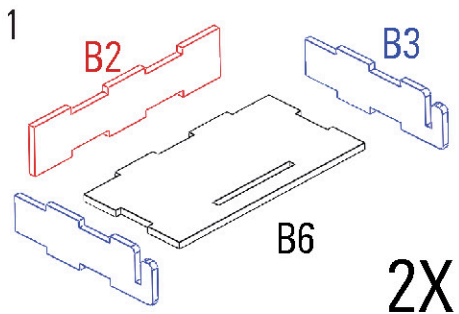


<http://tiny.cc/lrxlotrub>



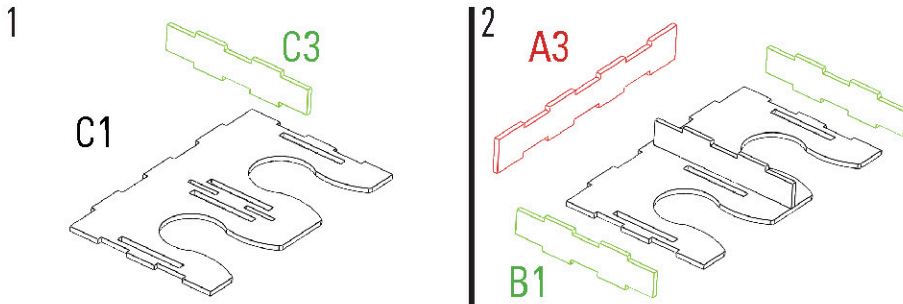
- Some parts might look different than in the assembly instructions, with added decorations/engravings/embellishments.
- Color variations or branch marks are a natural part of the birch plywood.
- The burnt smell of wood is natural and will dissipate with time.
- Rarely the laser will not cut through the complete sheet, but this can be fixed with the help of a hobby knife. If that is not possible, please contact us for a replacement!

Simple Card Tray



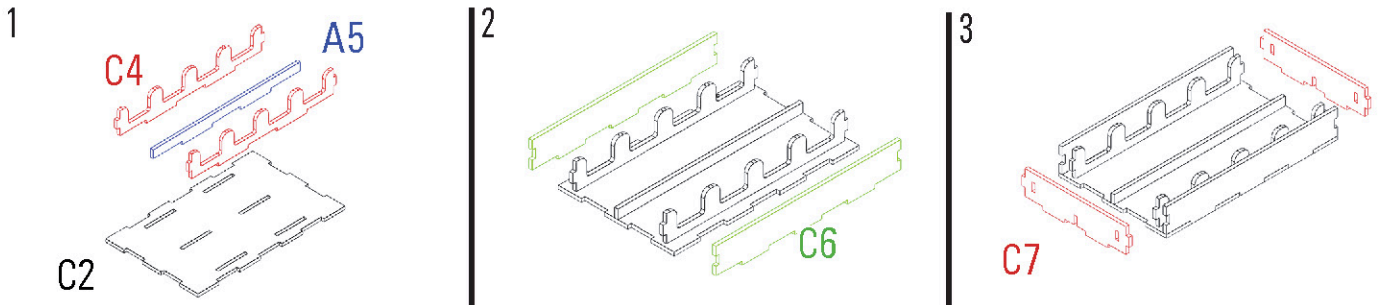
Required parts: **B2, B3x2, B6, B4/B5, A2**

Double Card Tray



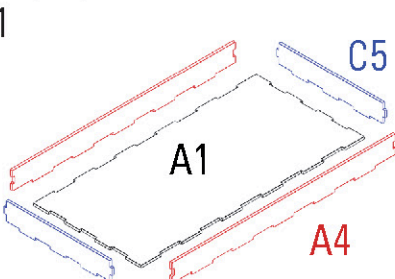
Required parts: **C1x2, C3, B1x2, A3**

New Heroes Base



Required parts: **C2, C4x2, A5, C6x2, C7x2**

Table Trays



Required parts: **A1, A4x2, C5x2**

A6 and **B7** components are dividers for the base game organizer.



LASEROX

Laserox Design Ltd.
H-2092 Budakeszi
Tiefenweg way 39

