

# Mansion Organizer

LMOM

Compatible with Mansions of Madness 2ed and Sanctum of Twilight expansion

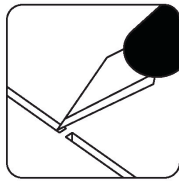
This box organizer is compatible with Mansions of Madness 2ed. This product is not licensed and is up for change at any time in the future.



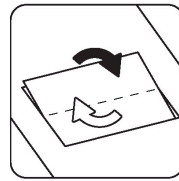
## Assembly Guide



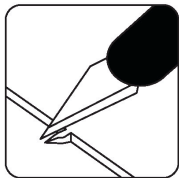
Watch our beginners guide videos on youtube. Just scan the QR code and get started!



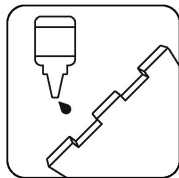
Use an exacto knife to cut the bits connecting the parts to the frame.



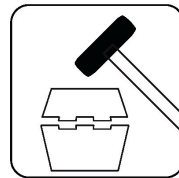
Remove the parts from the frame with a rotating motion along the axis formed by the bits you just cut.



Use the exacto knife to remove any of the remaining connection bits.



Most joints are press-fit, but some joints might require a drop of glue to ensure a strong bond.



Press the parts together or use a hobby hammer with slight force for assembly.



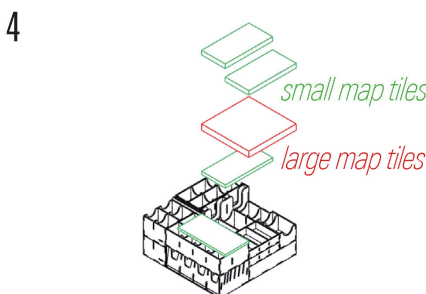
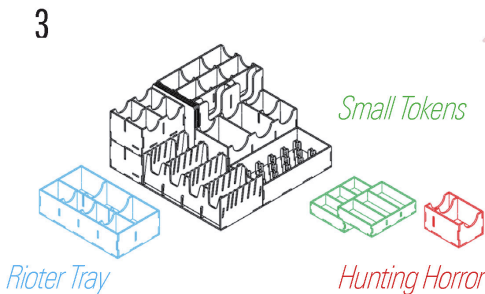
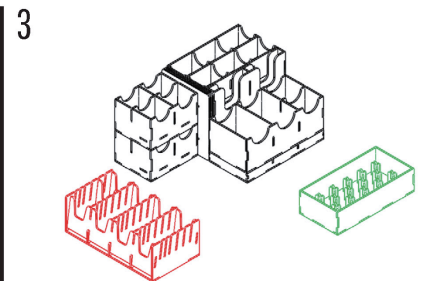
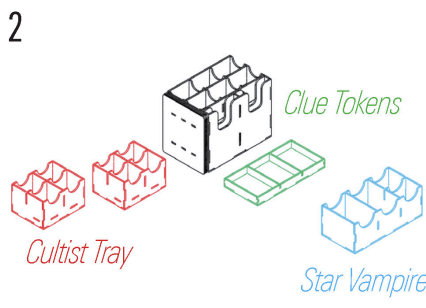
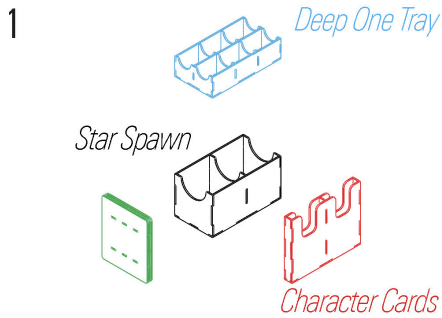
**LASEROX**

Use **wood glue** for assembly. If you encounter any issues, please contact us at [info@laserox.net](mailto:info@laserox.net)



**WARNING** Choking hazard! Not for children under 14 years.

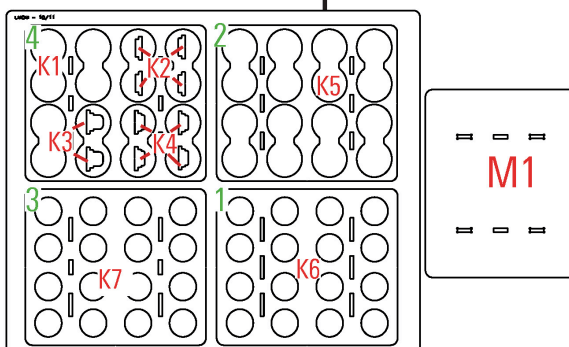
## Box Assembly



Share your creation!



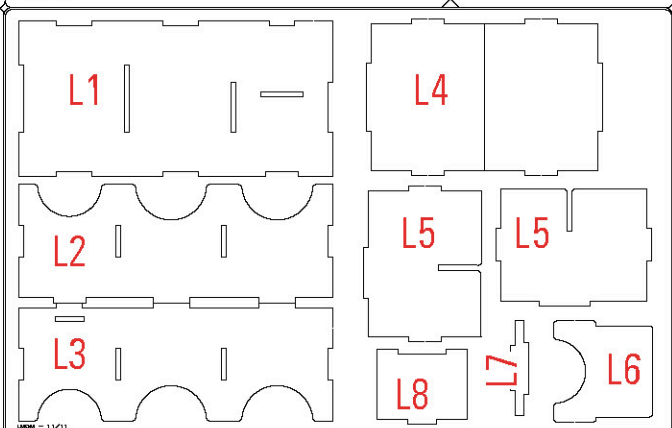
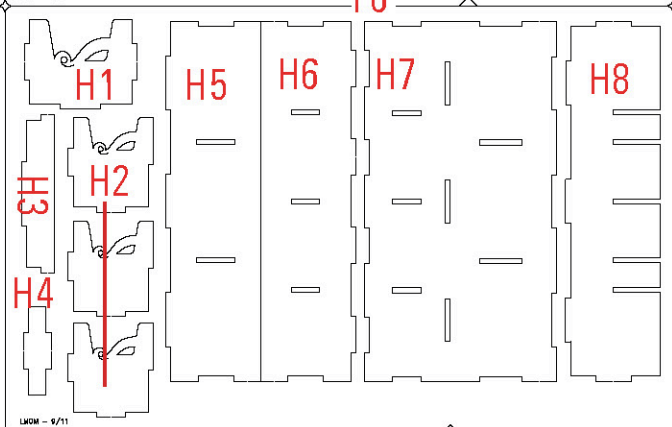
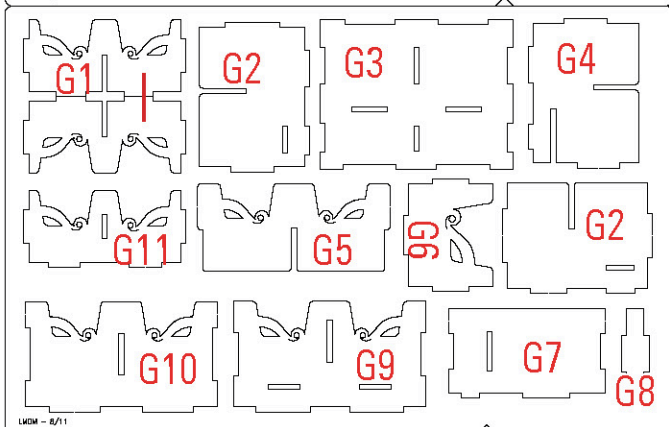
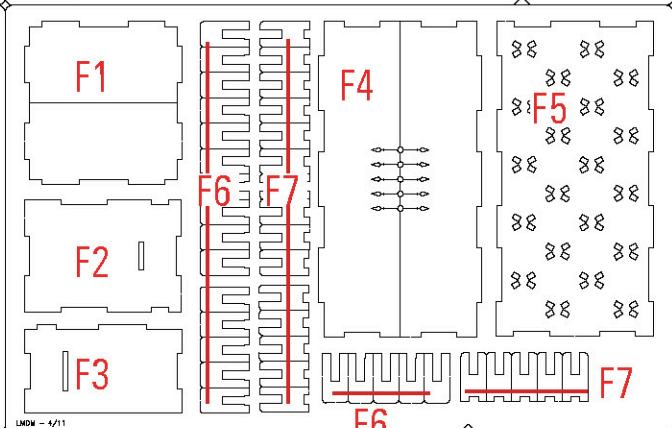
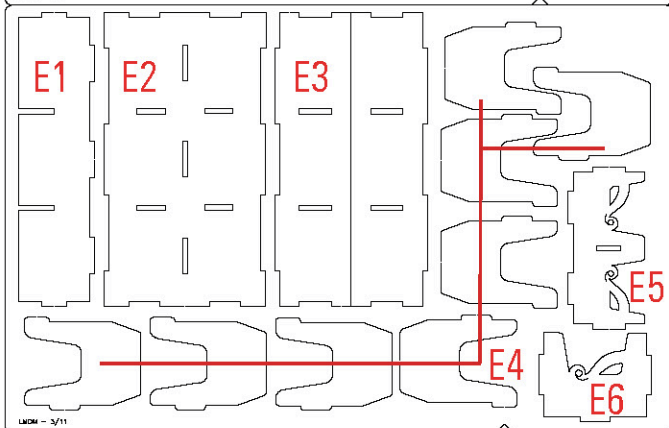
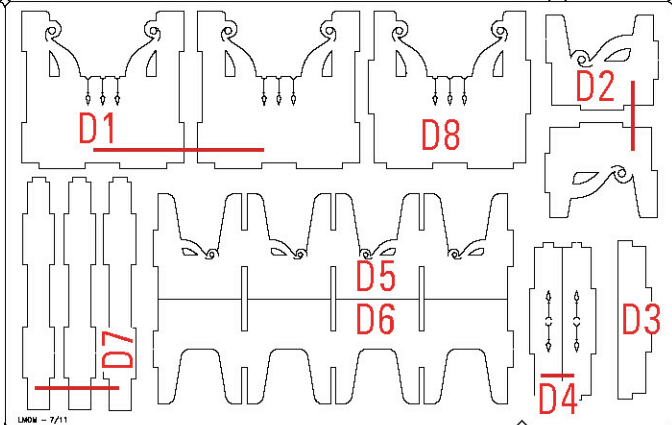
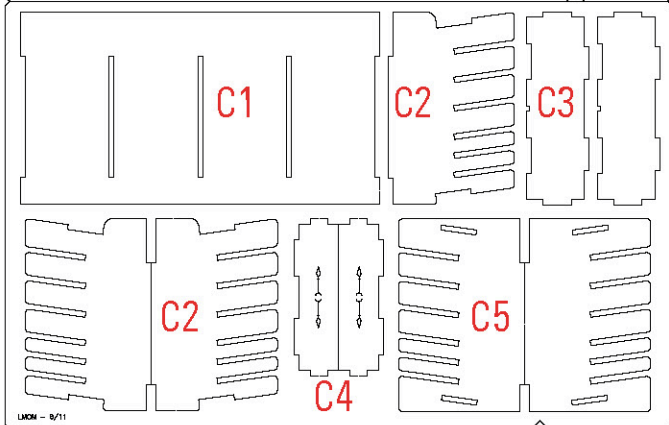
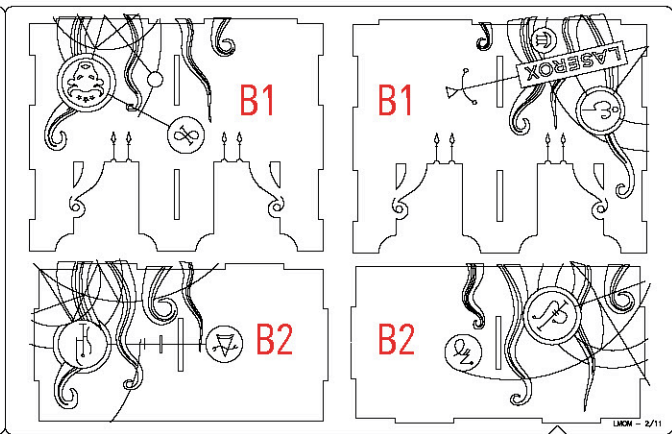
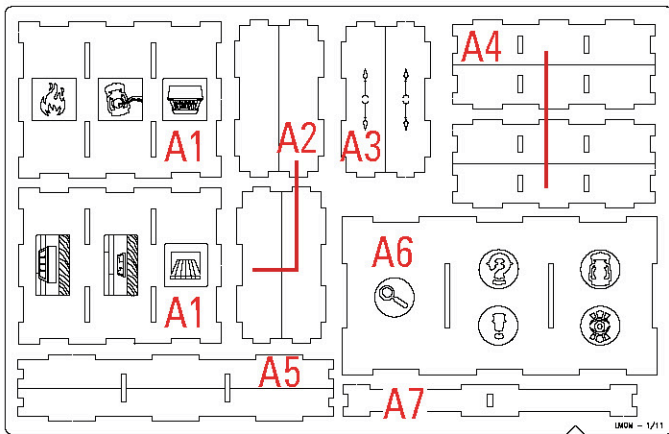
#laseroxinserts



Watch our "How it fits" video and get your game organized!



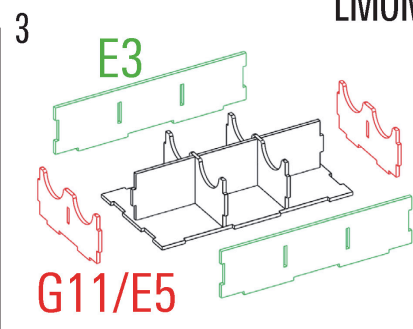
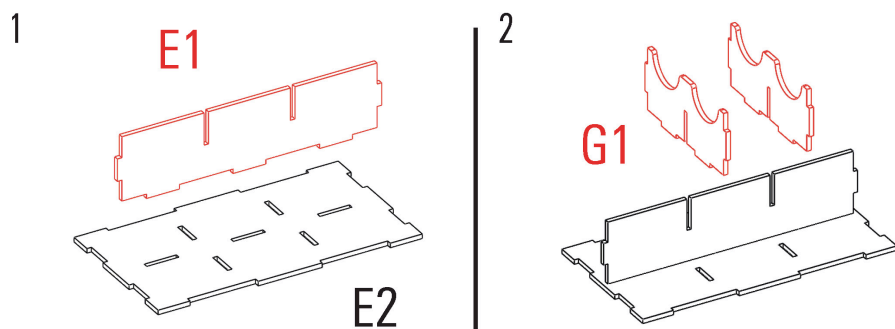
<http://tiny.cc/lrxmom>



- The burnt smell of wood is natural and will dissipate with time.
- Rarely the laser will not cut through the complete sheet, but this can be fixed with the help of a hobby knife. If that is not possible, please contact us for a replacement

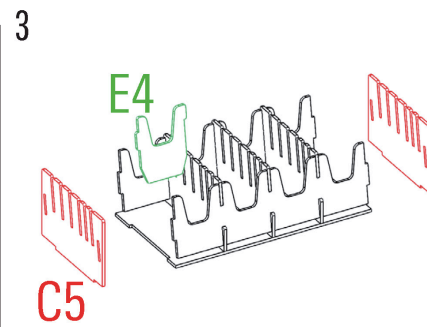
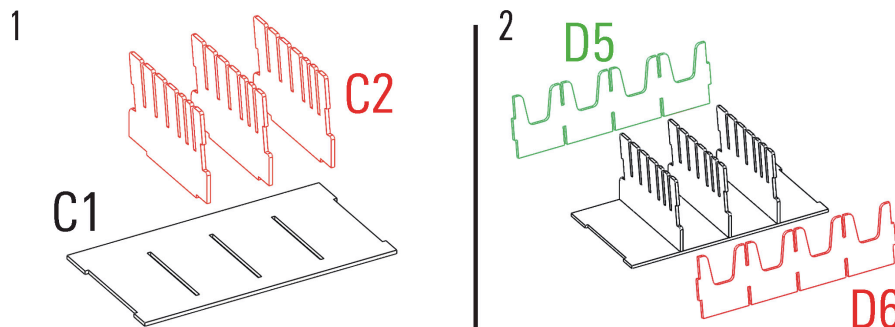
- Some parts might look different than in the assembly instructions, with added decorations/engravings/embellishments.
- Color variations or branch marks are a natural part of the birch plywood.

**Deep One tray**



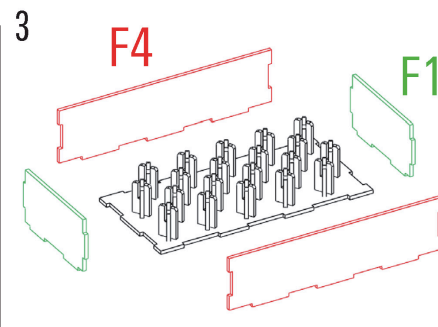
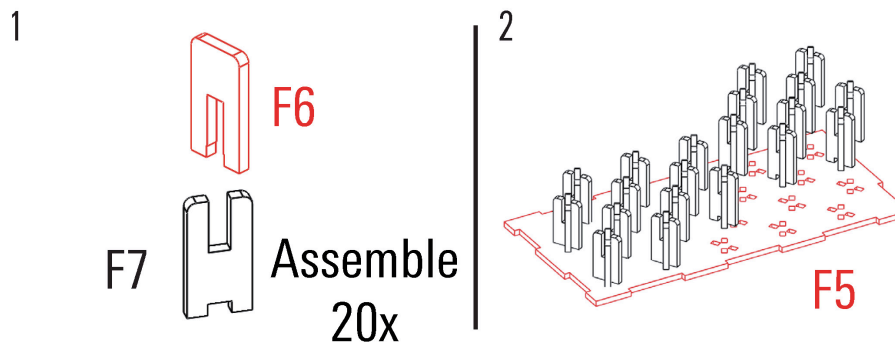
Required parts: **E1, E2, G1x2, G11, E3x2, E5**

**Card holder**



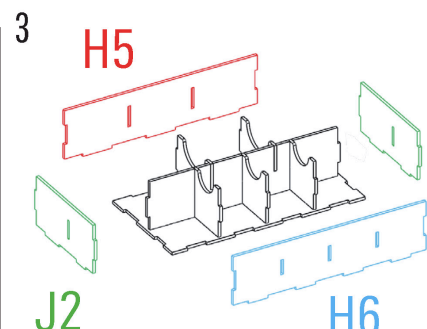
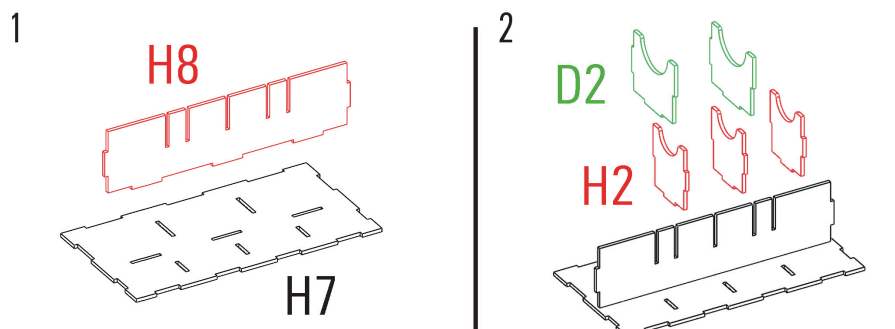
Required parts: **C1, C2x3, D5, D6, E4x8, C5x2,**

**Heroes holder**



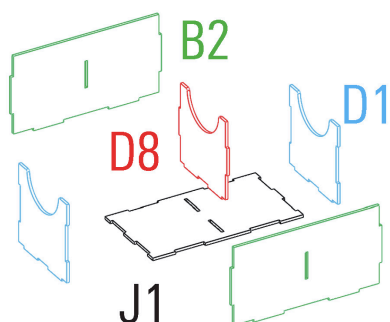
Required parts: **F7x20, F6x20, F5, F1x2, F4x2,**

**Rioter tray**



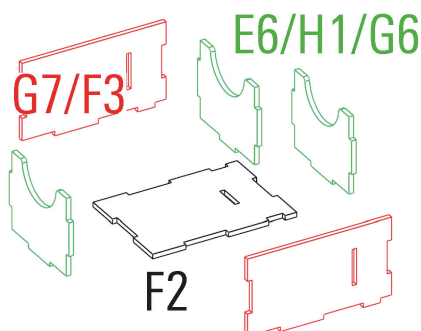
Required parts: **H7, H8, D2x2, H2x3, J2x2, H5, H6**

**Star Spawn tray**



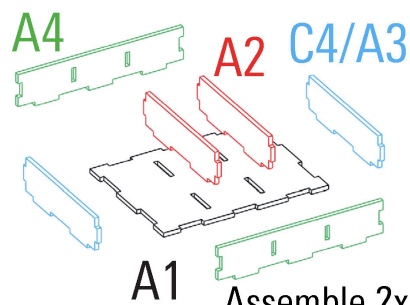
Required parts: **J1, B2x2, D1x2, D8**

**Hunting Horror tray**



Required parts: **F2, E6, H1, G6, G7/F3**

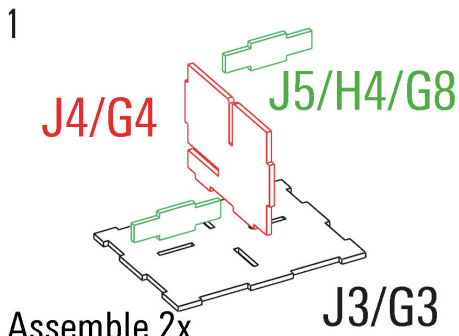
**Small token tray**



Required parts: **A1, A2x2, C4, A3, A4x2,**

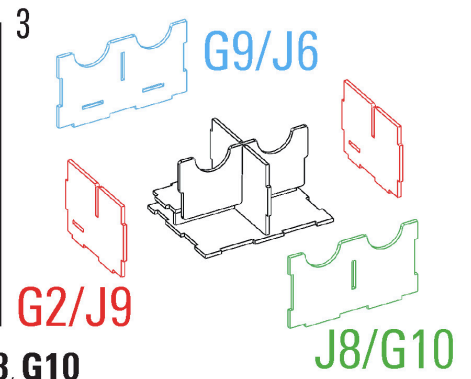
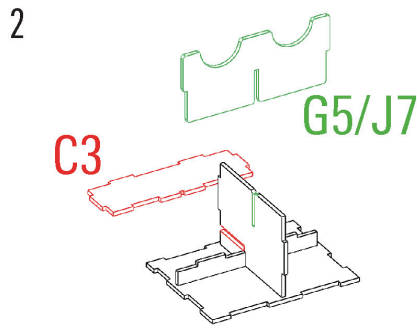
Assemble 2x

## Cultist tray

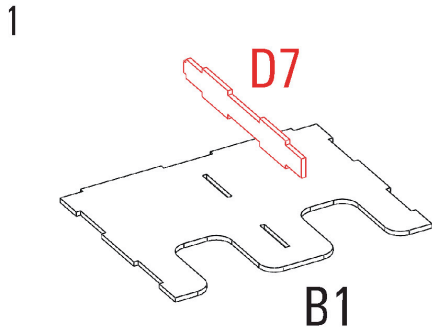


Assemble 2x

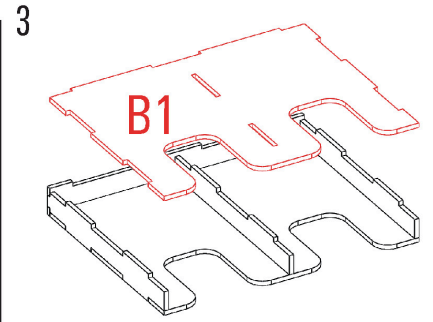
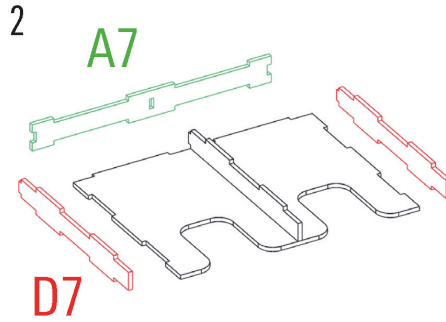
Required parts: J3, G3, J4, G4, G8, J5x2, H4, C3x2, G5, J7, G2x2, J9x2, G9, J6, J8, G10



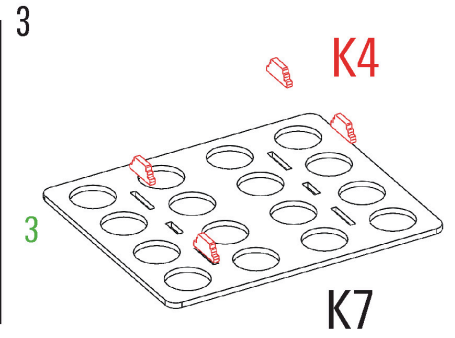
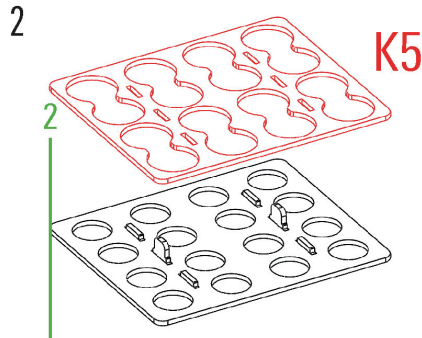
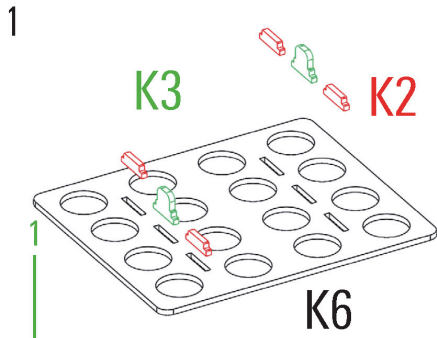
## Character Cards



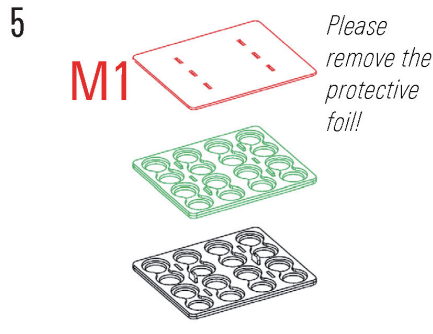
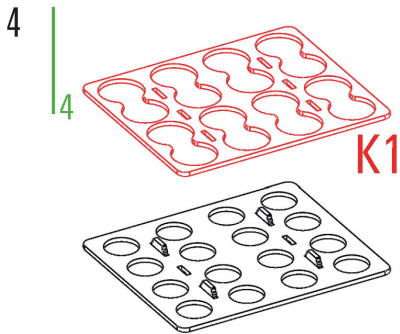
Required parts: B1x2, D7x3, A7



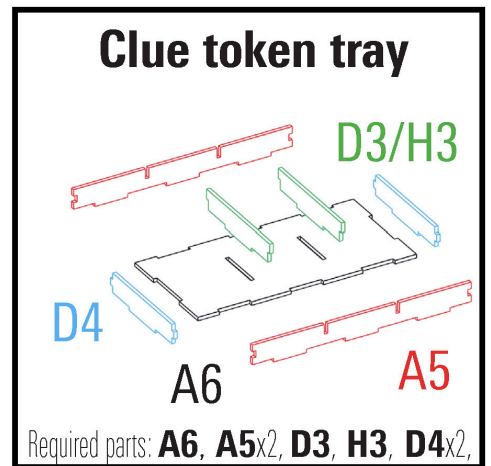
## Person holder



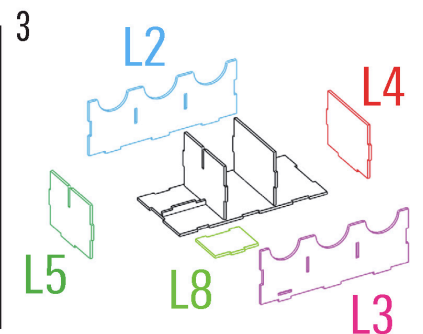
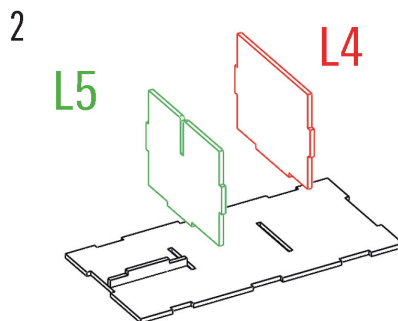
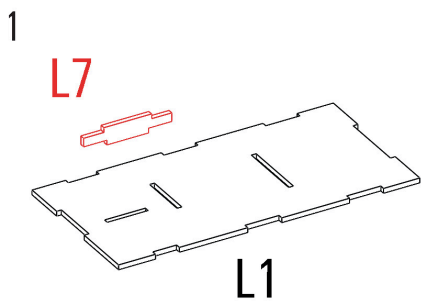
each part has a small number engraved in a corner, to help with identification



Required parts: K6, K2x4, K3x2, K5, K4x4, K7, K1, L1,



## Star Vampire tray



Required parts: L1, L7, L5x2, L4x2, L2, L3, K7,



**LASEROX**

Laserox Design Ltd.  
H-2092 Budakeszi  
Tiefenweg way 39

