

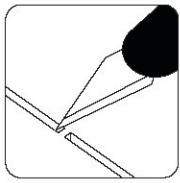
Mage Knight Organizer

LMKU

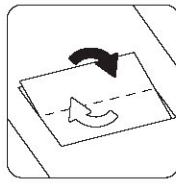
Compatible with Mage Knight:
Ultimate Edition



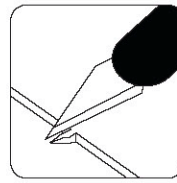
Assembly Guide



Use an exacto knife to cut the bits connecting the parts to the frame.

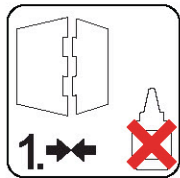


Remove the parts from the frame with a rotating motion along the axis formed by the bits you just cut.

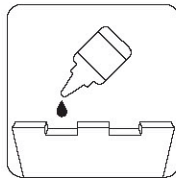


Use the exacto knife to remove any of the remaining connection bits.

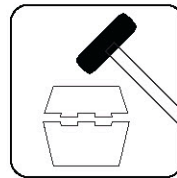
Use **wood glue** for assembly. Always dry fit the parts first to make sure the components are correct ones. If you encounter any issues, please contact us at info@laserox.net or our Facebook page at facebook.com/laseroxinserts.



Always dry-fit the parts to together without any glue to make sure you are assembling the correct parts.



Use a drop of glue along the joints and hold it in place until the glue has sufficiently dried.

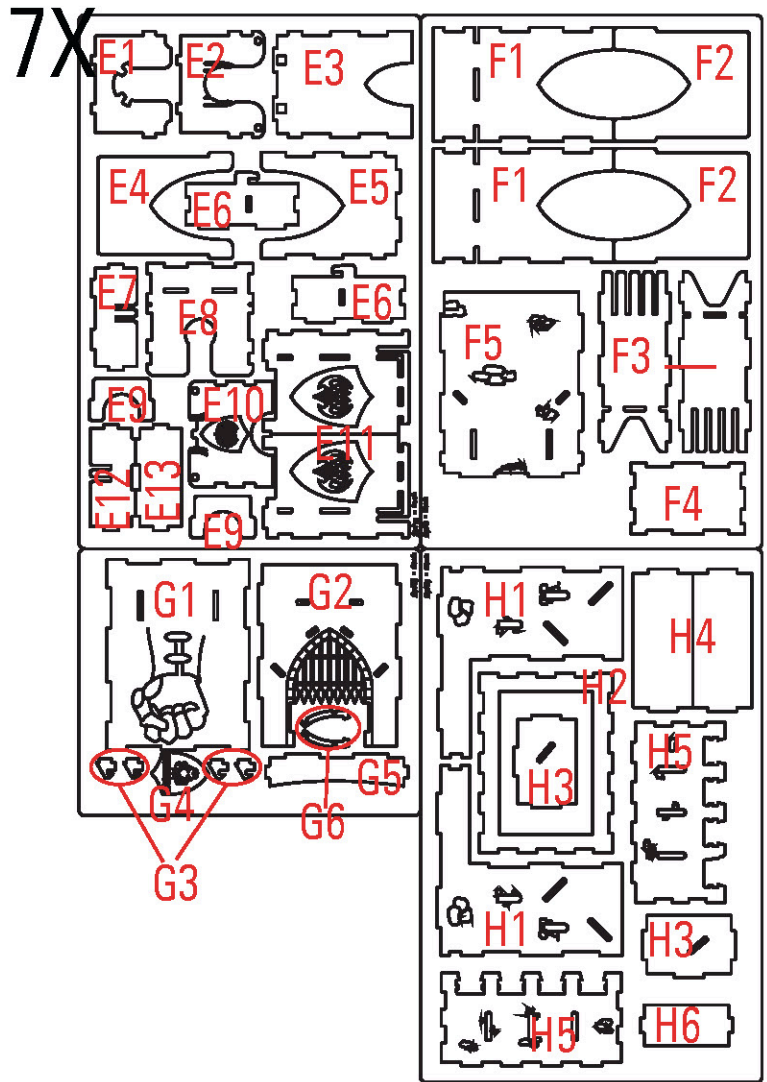
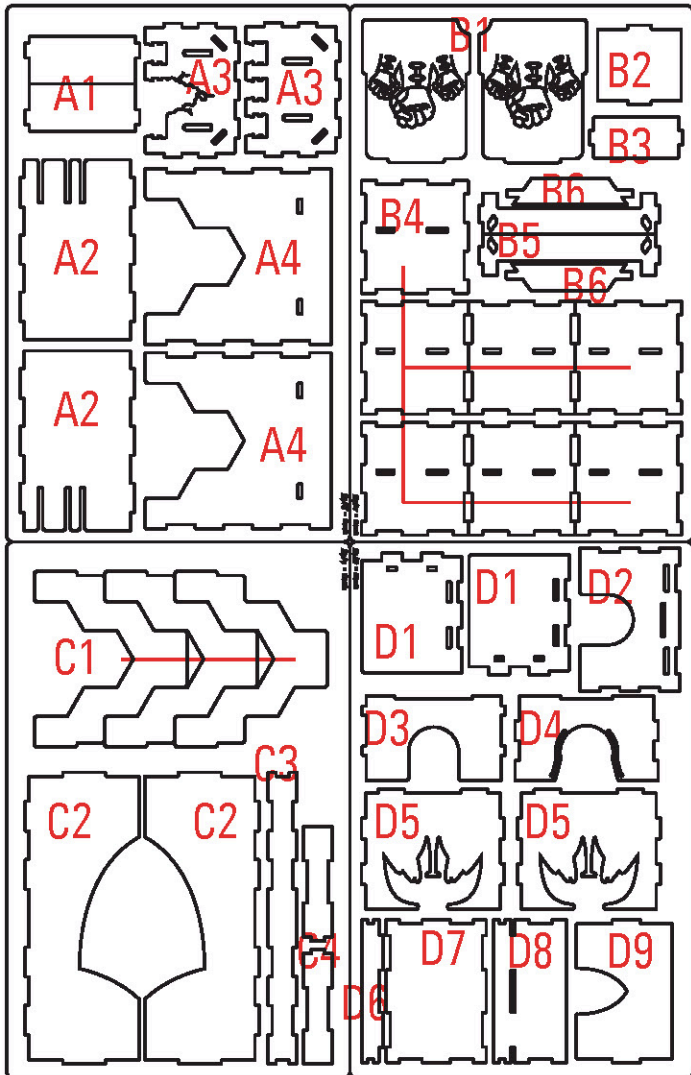


Press the parts together or use a hobby hammer with slight force for assembly.



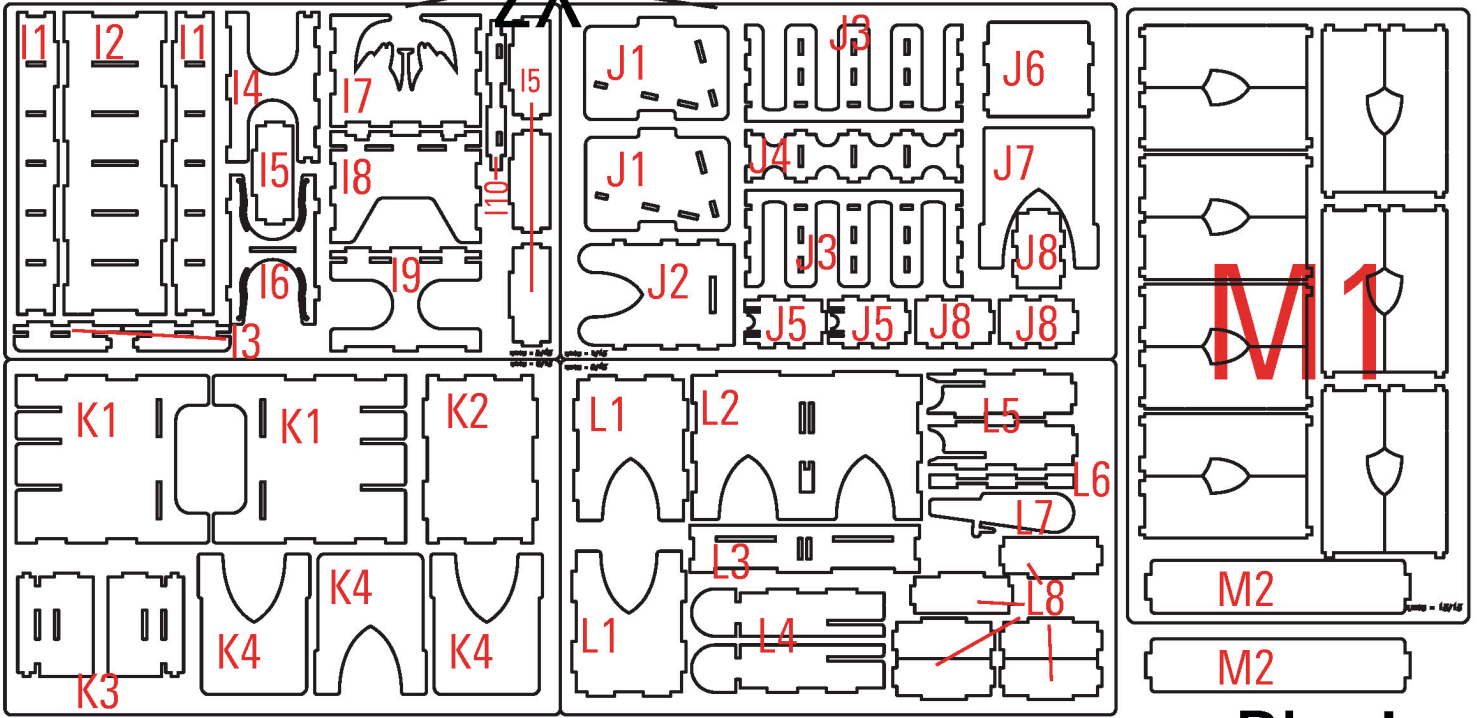
14+ WARNING Choking hazard!
Not for children under 14 years.

Part numbers



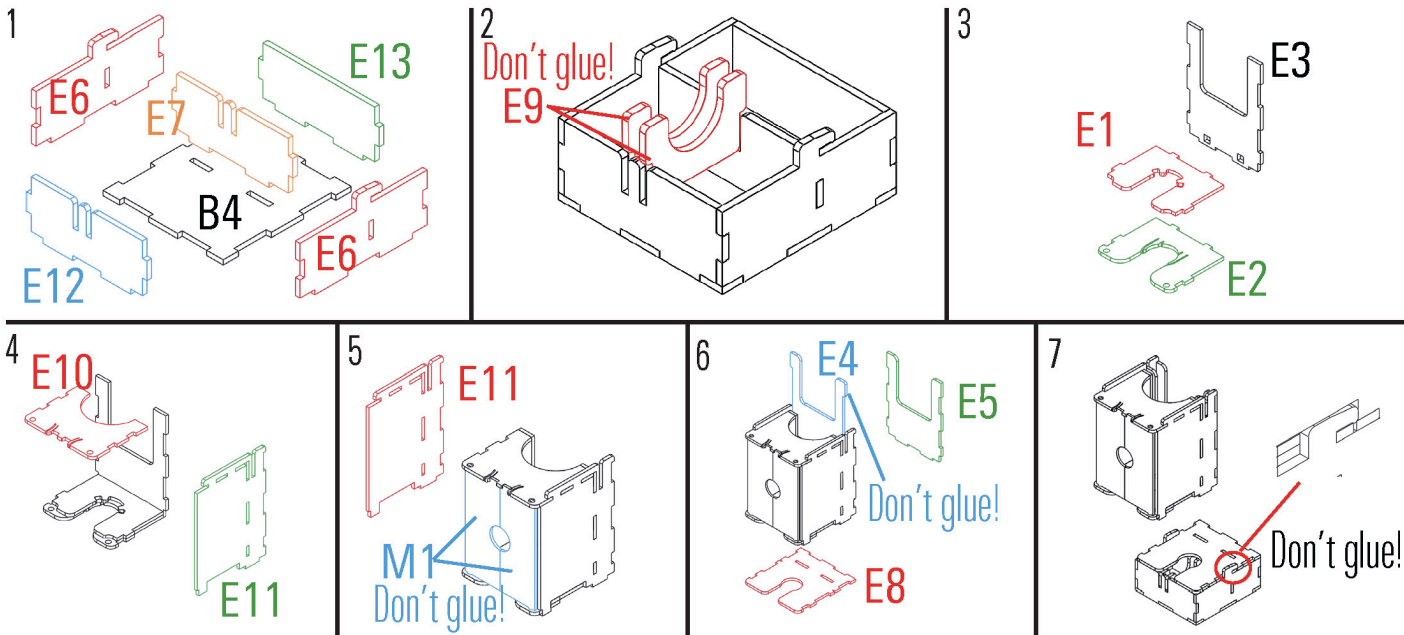
Part numbers II.

2X



Plexi

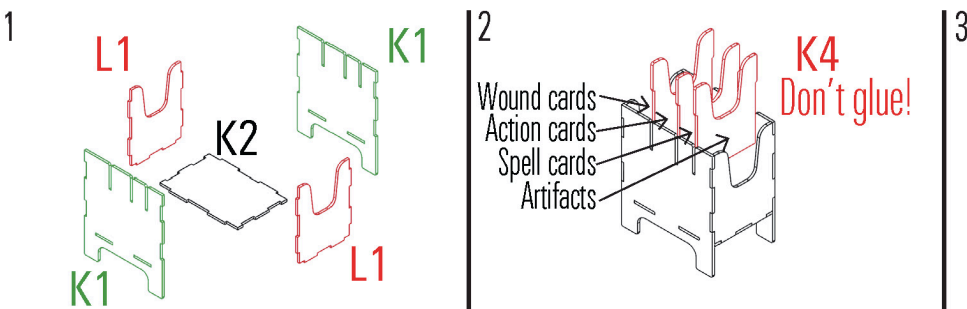
Faction holder



Required parts: B4x7, E1, E2, E3, E3, E5, E6x2, E7, E8, E9x2, E10, E11, E12, E13, M1x2

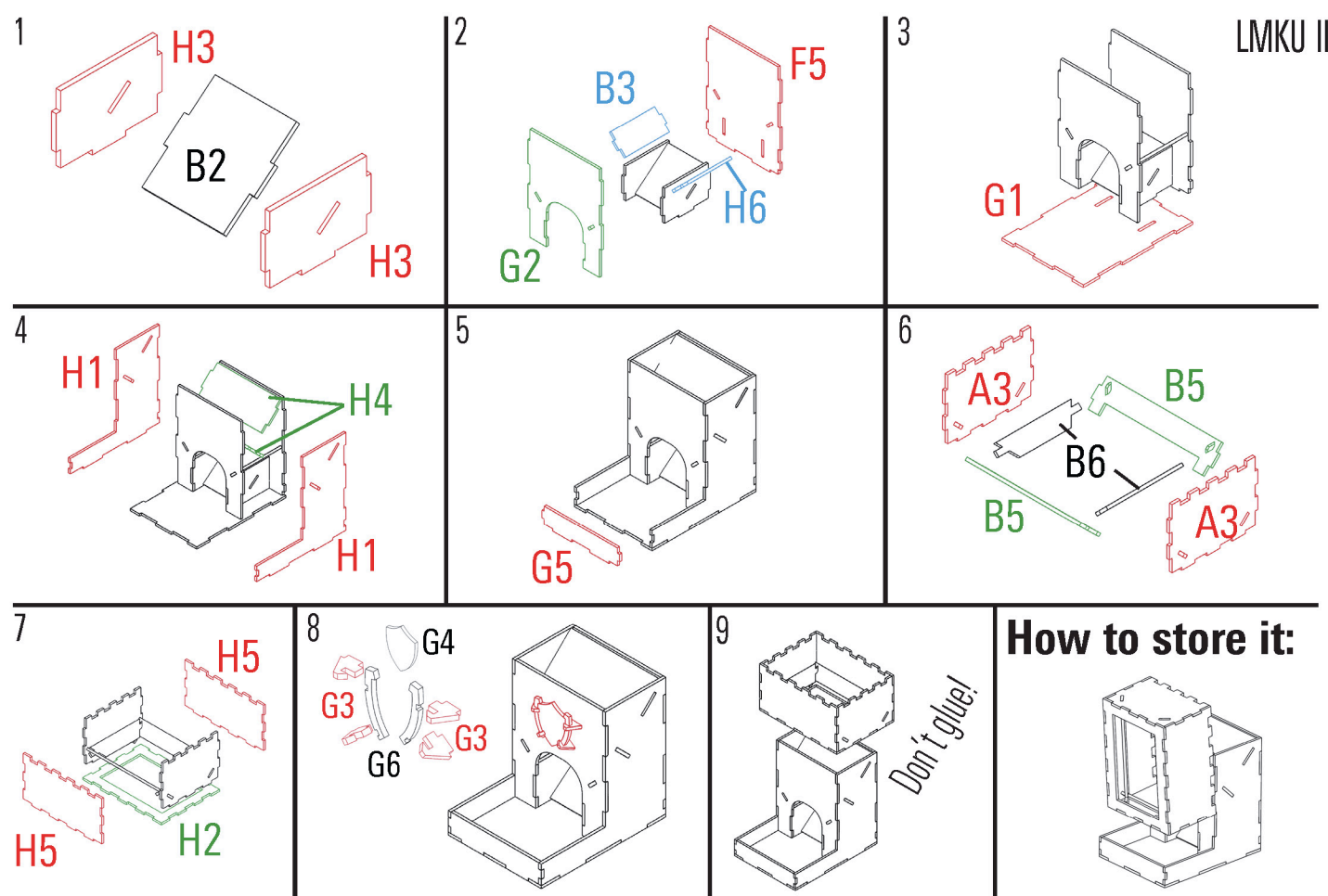
Assemble 7x

Card holder



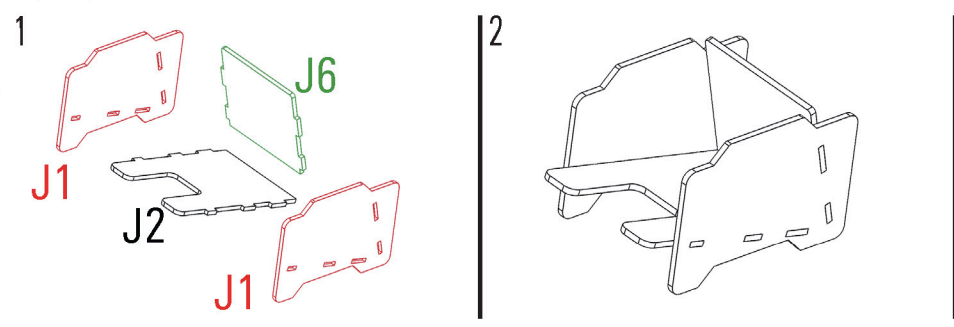
Required parts: K1x2, K2, K4x3, L1x2

Dice tower



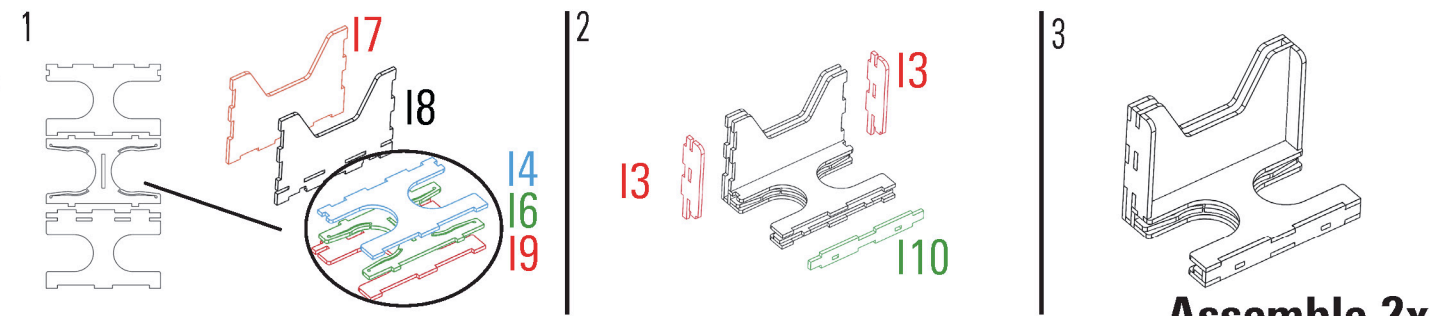
Required parts: **A3x2, B2, B3, B5x2, B6x2, F5, G1, G2, G3x4, G4, G5, G6x2, H1x2, H2, H3x2, H4x2, H5x2, H6**

Card tray



Required parts: **J1x2, J2, J6**

Castle tray

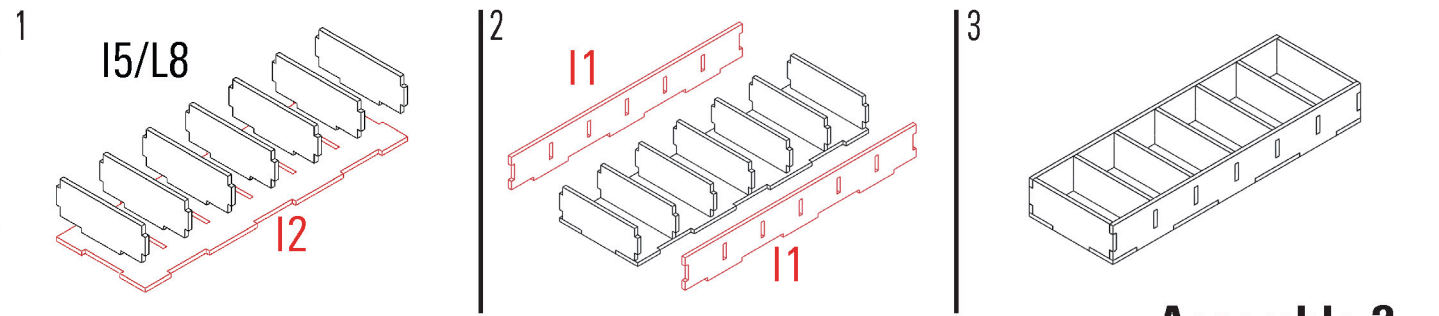


Required parts: **I3x2, I4, I6, I7, I8, I9, I10**

Assemble 2x

Assemble 2x

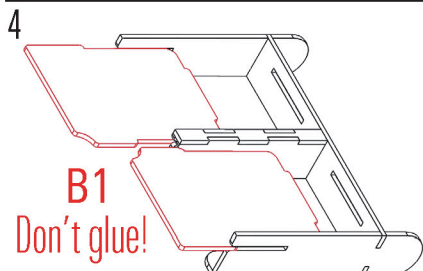
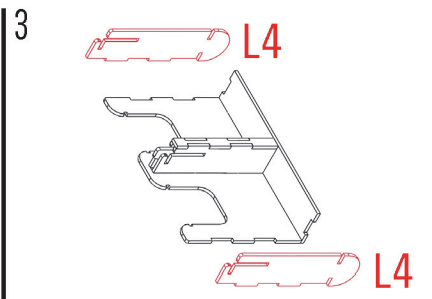
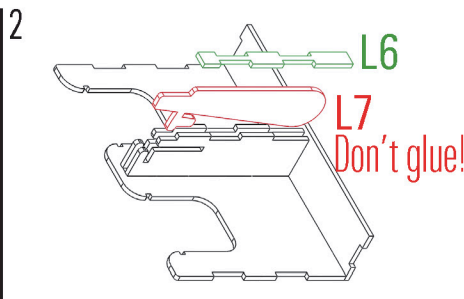
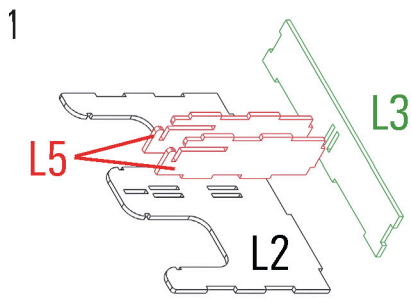
Crystall tray



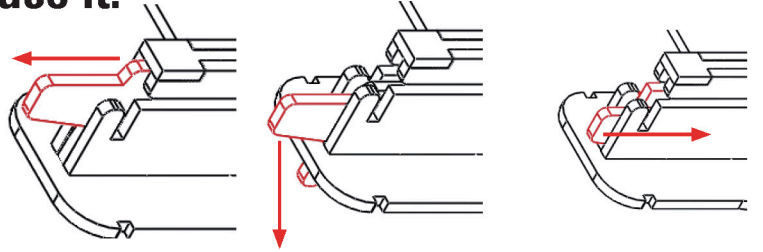
Required parts: **I1, I2, I5x4, L8x6**

Assemble 2x

Double card holder

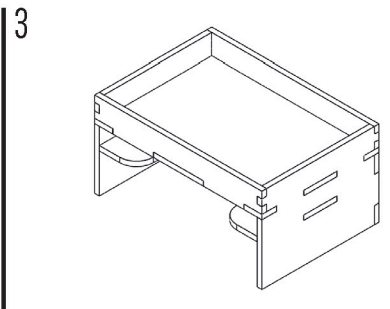
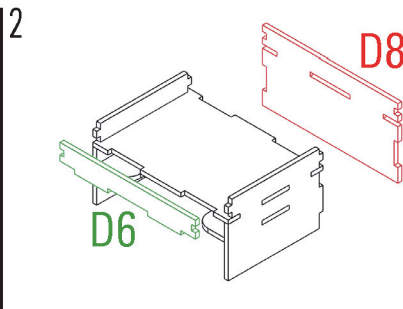
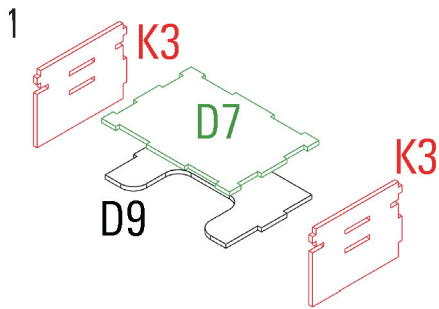


How to use it:



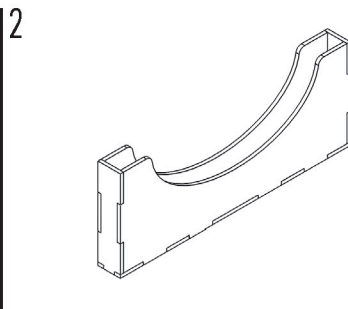
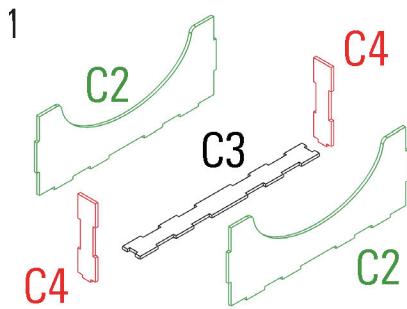
Required parts: **B1x2,L2,L3,L4x2,L5x2,L6,L7**

H. valley tray



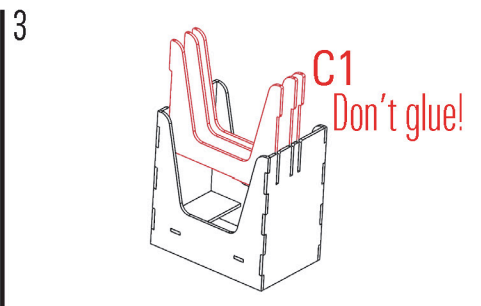
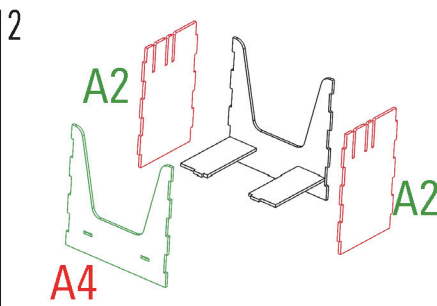
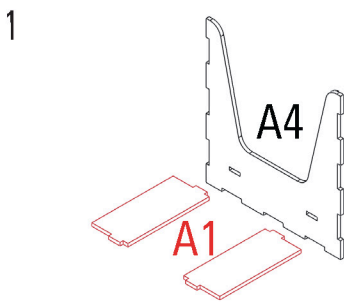
Required parts: **D6,D7,D8,D9,K3x2**

Large boards



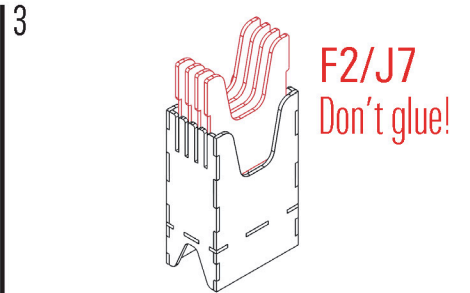
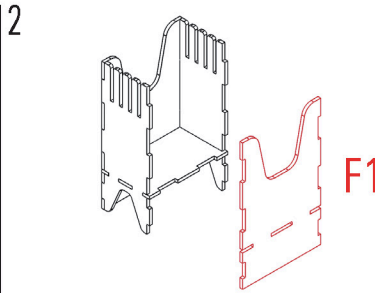
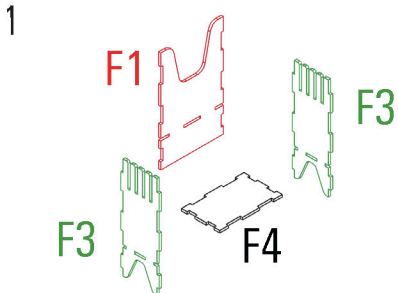
Required parts: **C2x2,C3,C4x2**

Map tiles tray



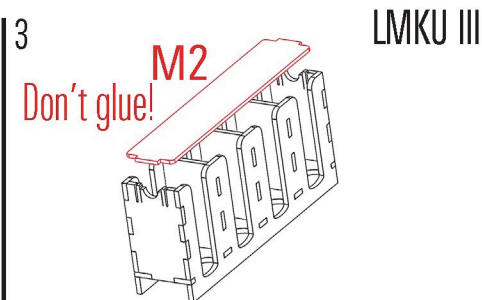
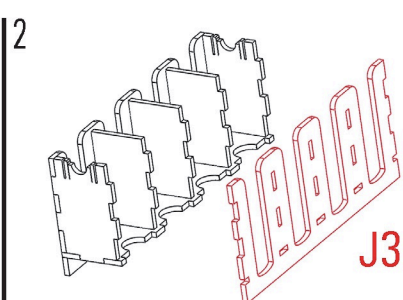
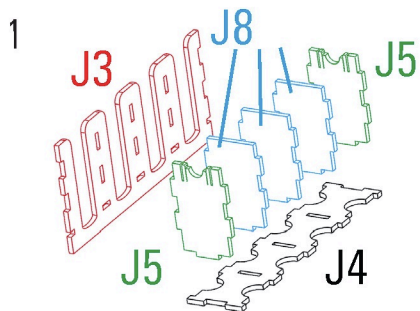
Required parts: **A1x2,A2x2,A4,C1x3**

Card tray II.



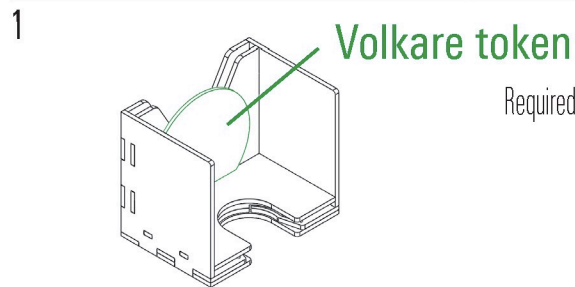
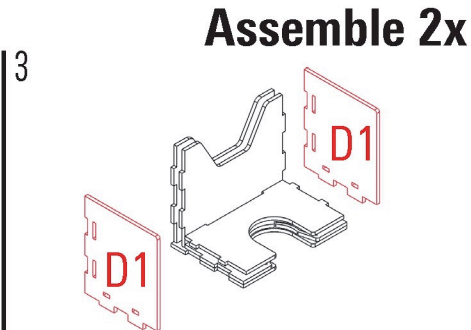
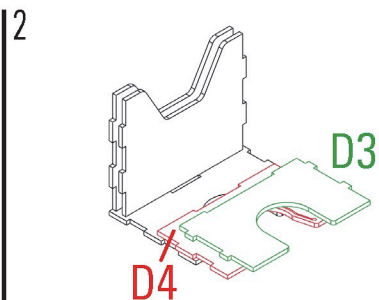
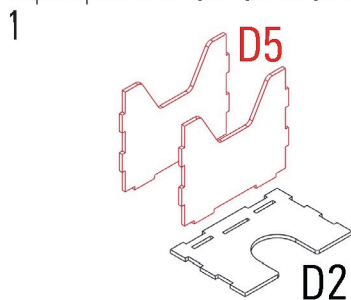
Required parts: **F1x2,F2x2,F3x2,F4,J7**

Token tray



Required parts: J3x2, J4, J5x2, J8x3, M2

Volkare holder



Required parts: D1x2, D2, D3, D4, D5x2

Assembly

