

# Merv Organizer

## Compatible with Merv: The Heart of the Silk Road

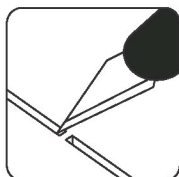
This product is licensed by Osprey Games, and is up for change at any time in the future.



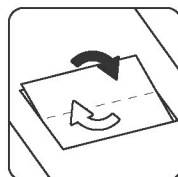
## Assembly Guide



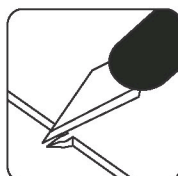
Watch our beginners guide videos on youtube. Just scan the QR code and get started!



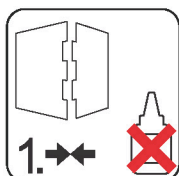
Use an exacto knife to cut the bits connecting the parts to the frame.



Remove the parts from the frame with a rotating motion along the axis formed by the bits you just cut.



Use the exacto knife to remove any of the remaining connection bits.



Always dry-fit the parts to together without any glue to make sure you are assembling the correct parts.



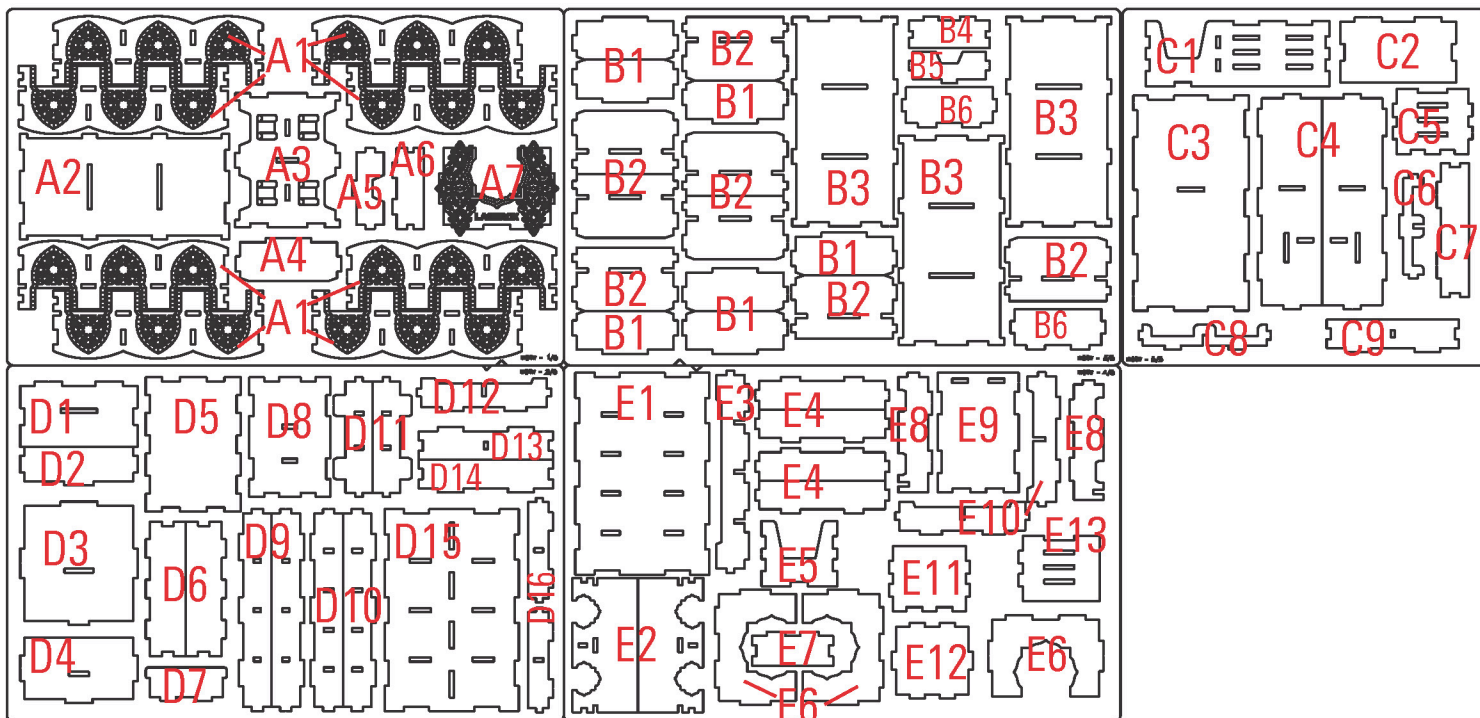
Use a drop of glue along the joints and press the parts together or use a hobby hammer with slight force for assembly.

Use **wood glue** for assembly. Always dry fit the parts first to make sure the components are correct ones. If you encounter any issues, please contact us at [info@laserox.net](mailto:info@laserox.net) or our Facebook page at [facebook.com/laseroxinserts](https://facebook.com/laseroxinserts).



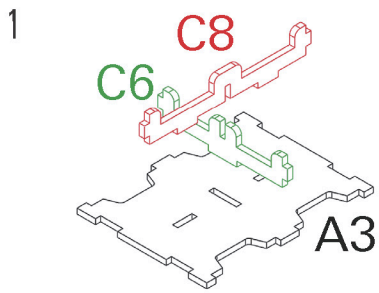
**14+** WARNING Choking hazard! Not for children under 14 years.

## Part numbers

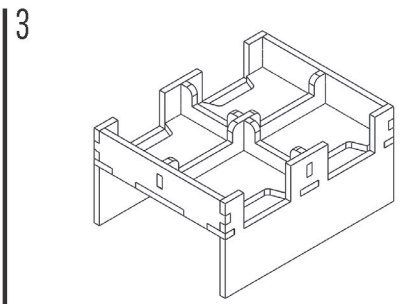
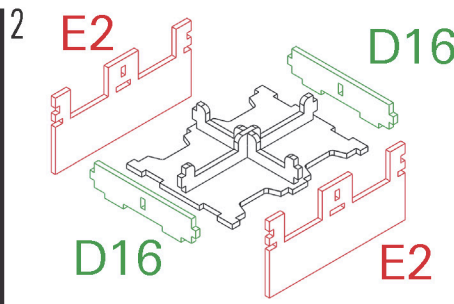


Some parts may slightly differ (in the instructions below) from how they look here. Please always refer back to the numberings if unsure.

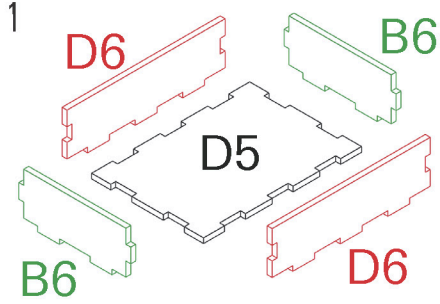
# Book tray



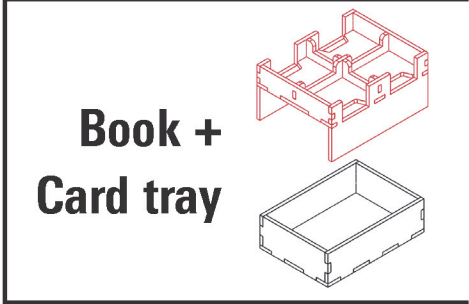
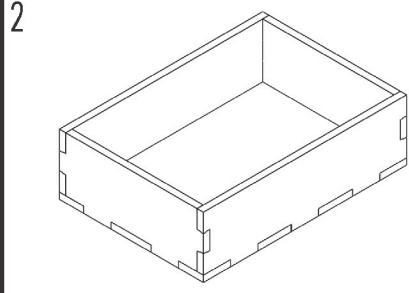
Required parts: **A3,C6,C8,D16x2,E2x2**



# Card tray

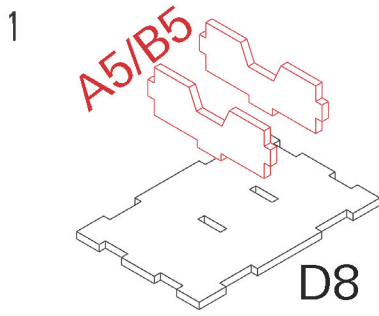


Required parts: **B6x2,D5,D6x2**

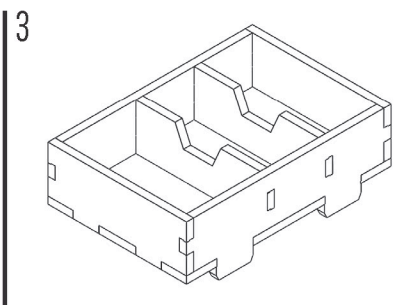
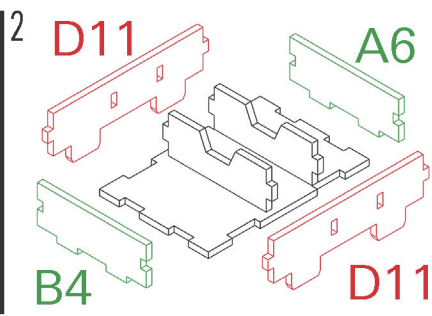


**Book +  
Card tray**

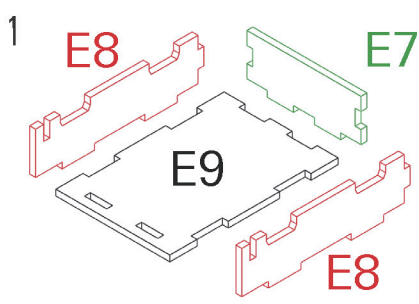
# Token tray



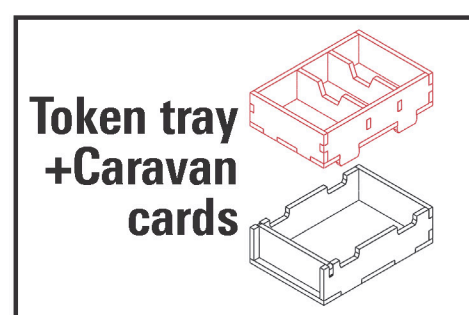
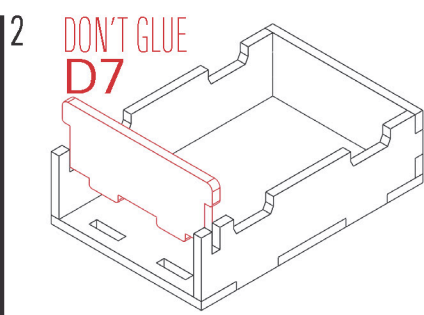
Required parts: **A5,B4,B5,A6,D8,D11x2**



# Caravan cards

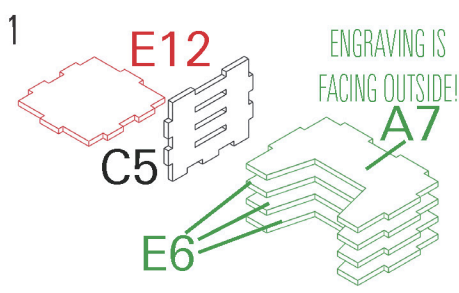


Required parts: **D7,E7,E8x2,E9**

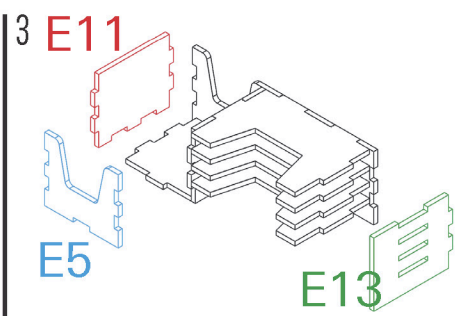
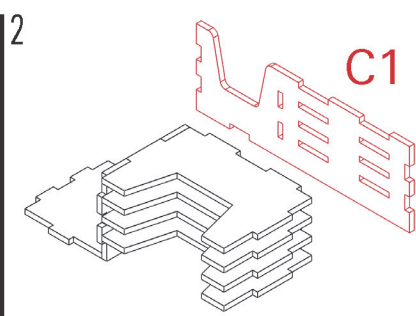


**Token tray  
+Caravan  
cards**

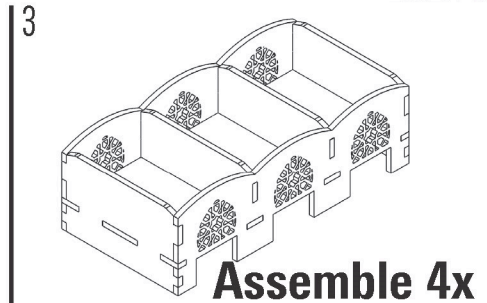
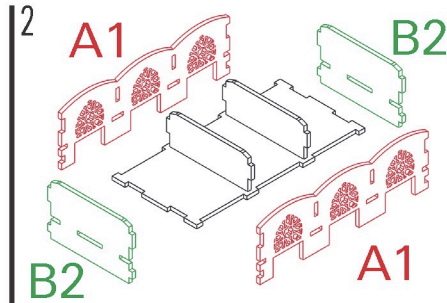
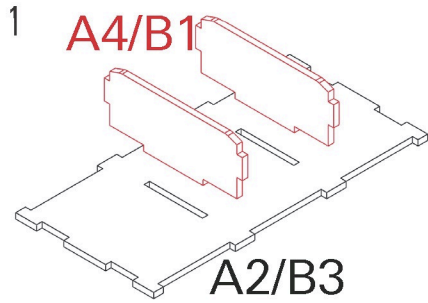
# Card holder



Required parts: **A7,C1,C5,E5,E6x3,E11,E12,E13**

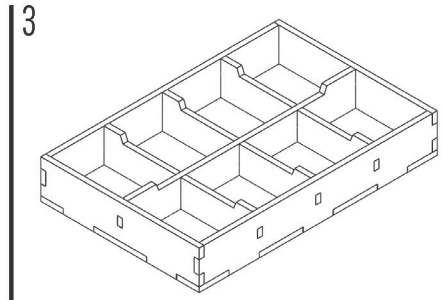
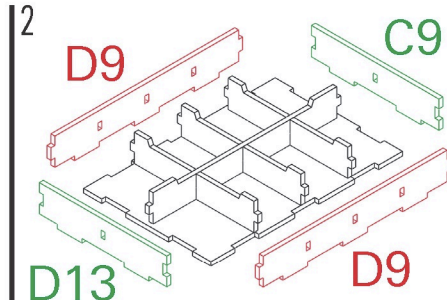
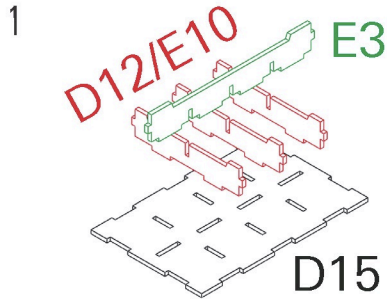


# Player parts



Required parts: **A1**x8,**A2**,**A4**,**B1**x7,**B2**x8,**B3**x3

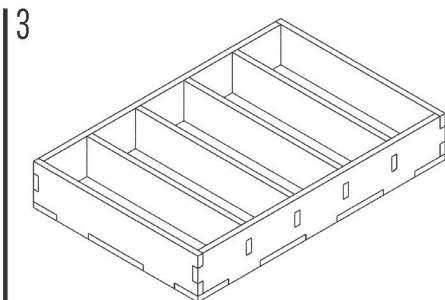
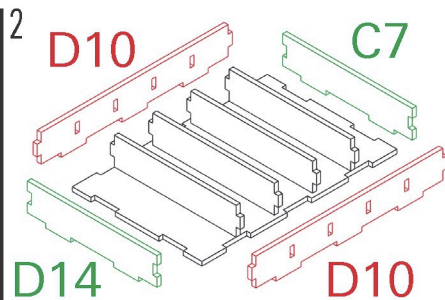
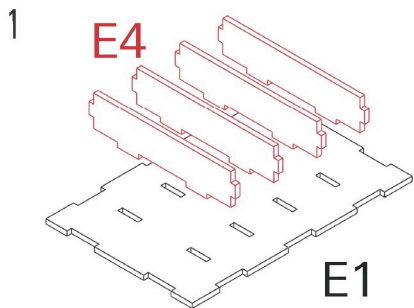
# Token tray 2



Required parts: **D9**x2,**D12**,**D15**,**D13**,**C9**,**E3**,**E10**x2

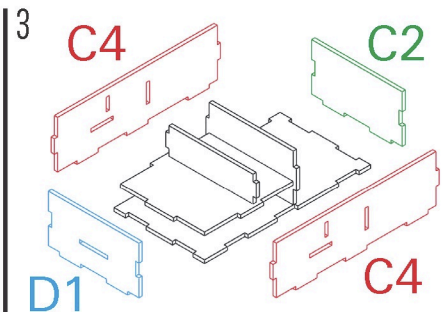
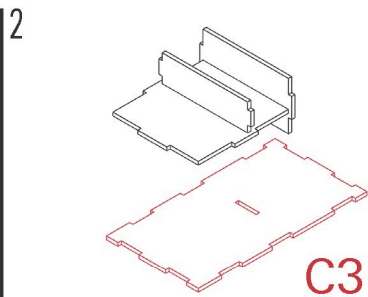
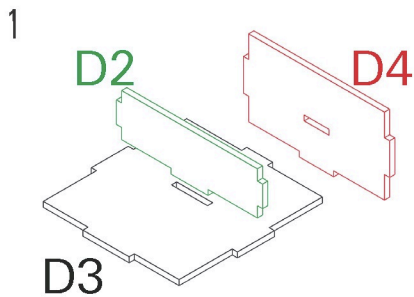


# Token tray 3



Required parts: **C7,D10x2,D14,E1,E4x4**

# Tower holder



Required parts: **C2,C3,C4x2,D1,D2,D3,D4**

# Assembly

