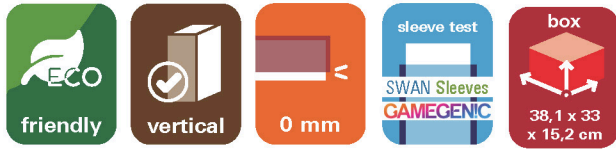


# ISS Vanguard Organizer

LISS

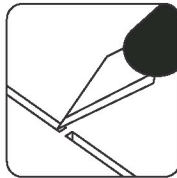
This box organizer is compatible with ISS Vanguard. This product is not licensed and is up for change at any time in the future.



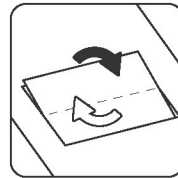
## Assembly Guide



Watch our beginners guide videos on youtube. Just scan the QR code and get started!



Use an exacto knife to cut the bits connecting the parts to the frame.

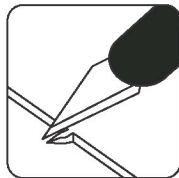


Remove the parts from the frame with a rotating motion along the axis formed by the bits you just cut.

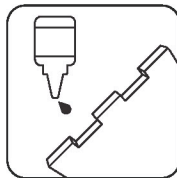


**LASEROX**

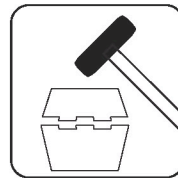
Use **wood glue** for assembly. If you encounter any issues, please contact us at [info@laserox.net](mailto:info@laserox.net)



Use the exacto knife to remove any of the remaining connection bits.



Most joints are press-fit, but some joints might require a drop of glue to ensure a strong bond.

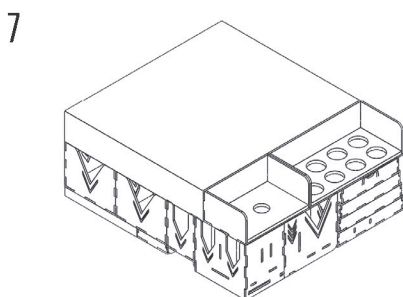
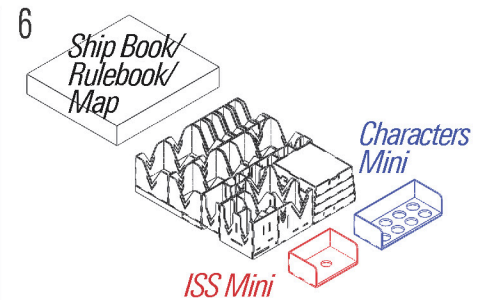
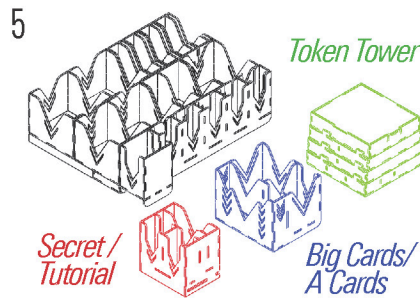
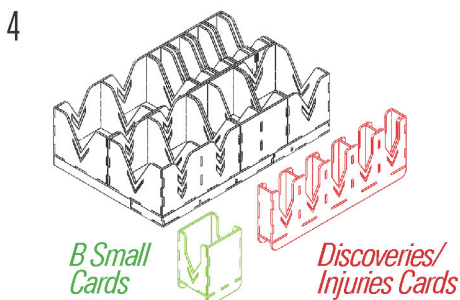
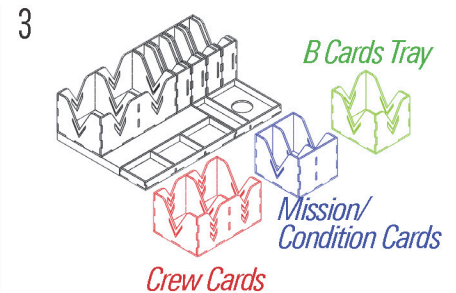
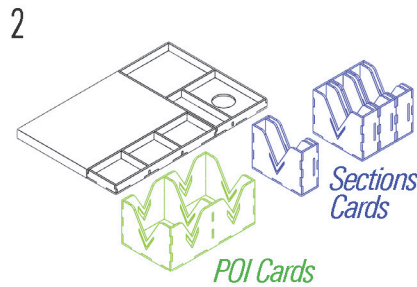
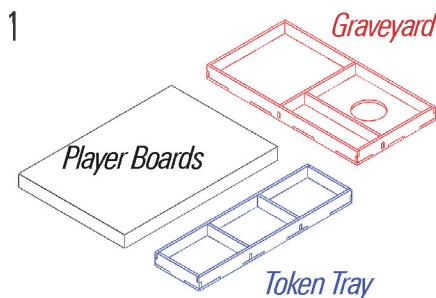


Press the parts together or use a hobby hammer with slight force for assembly.



**WARNING:** Not a toy. Not suitable for children under 14 years of age.

## Box Assembly

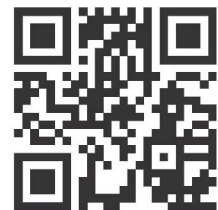


Share your creation!

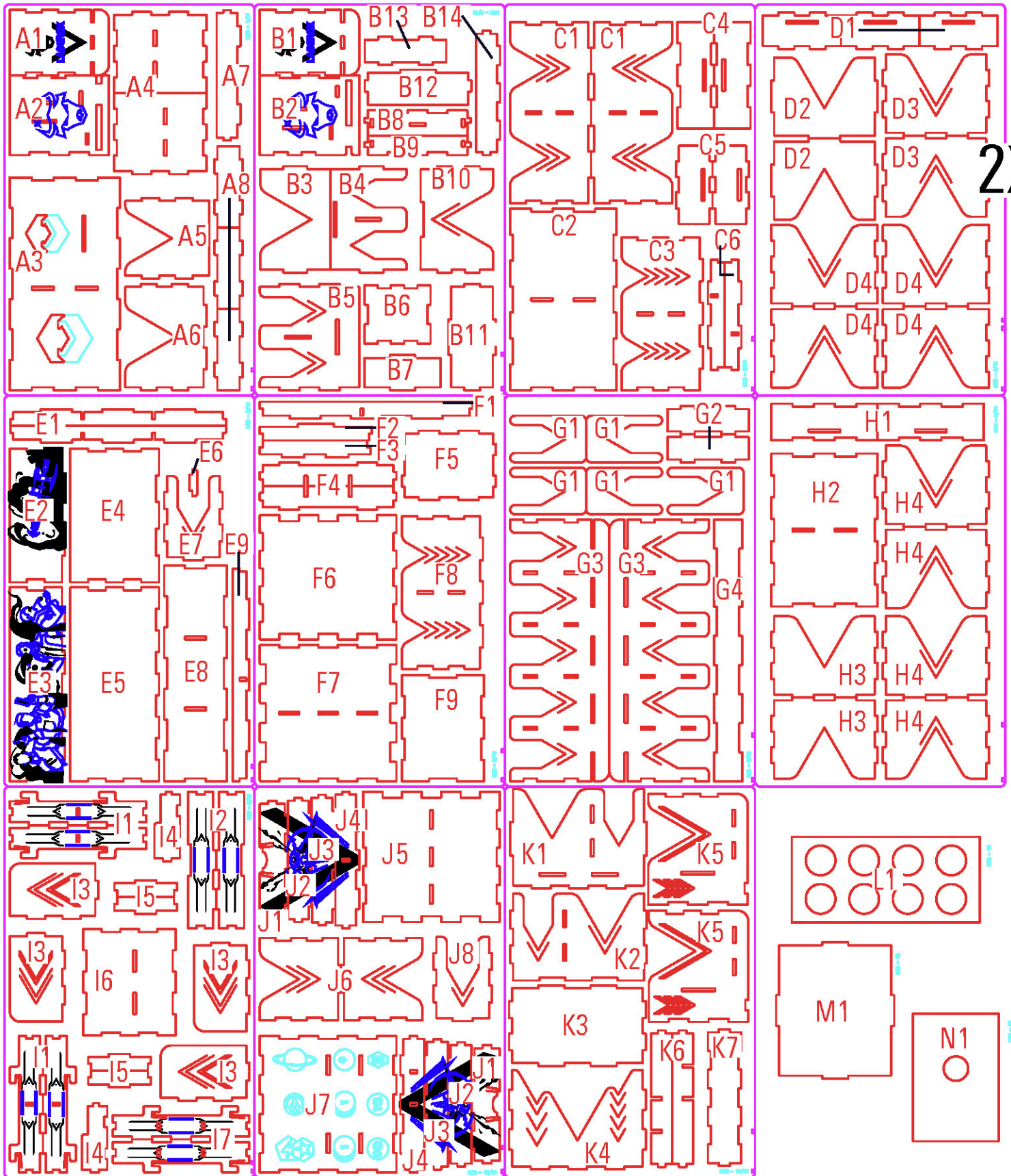


[#laseroxinserts](https://www.instagram.com/laseroxinserts)

Watch our "How it fits" video and get your game organized!

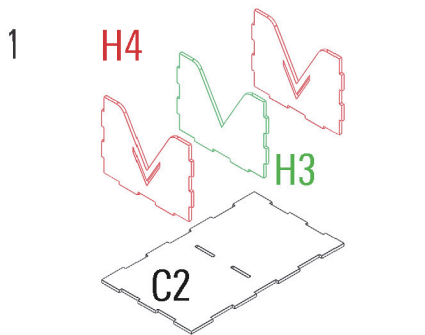


<http://tiny.cc/lsrxliss>

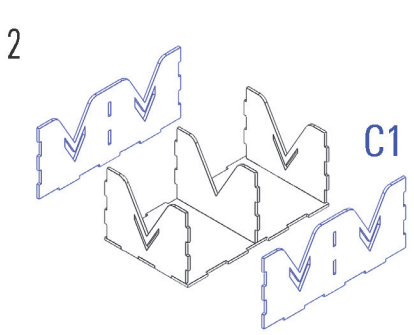


- Some parts might look different than in the assembly instructions, with added decorations/engravings/embellishments.
- Color variations or branch marks are a natural part of the birch plywood.
- The burnt smell of wood is natural and will dissipate with time.
- Rarely the laser will not cut through the complete sheet, but this can be fixed with the help of a hobby knife. If that is not possible, please contact us for a replacement!

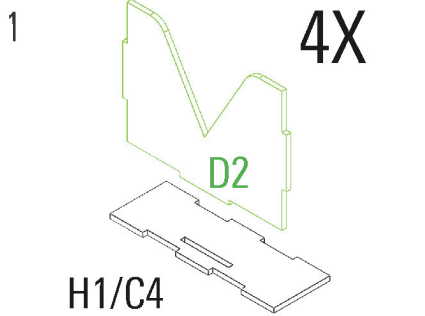
# P.O.I Cards



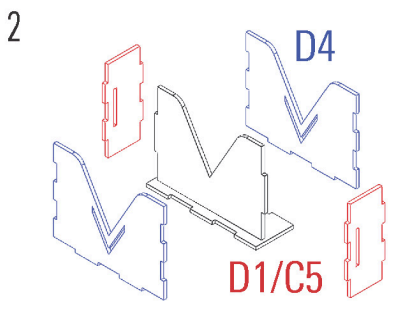
Required parts: **C2, H4x2, H3, C1x2**



# Sections Cards

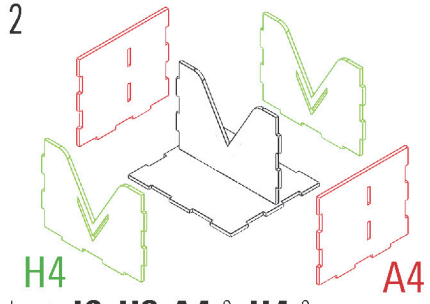
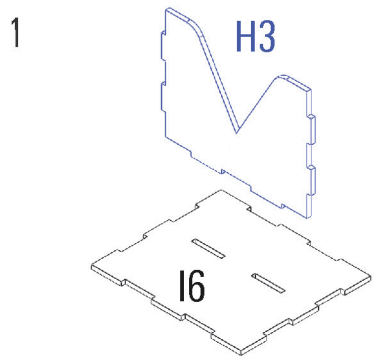


Required parts: **H1/C4, D2, D4x2, D1/C5x2**



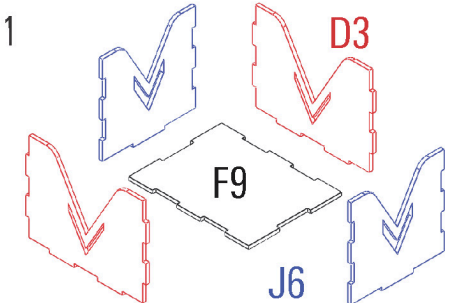
# Mission/Condition Cards

LISS II



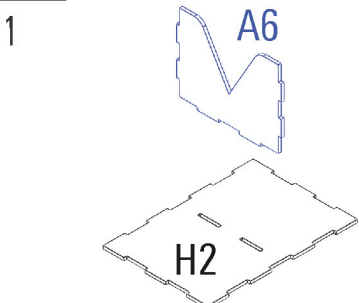
Required parts: **I6, H3, A4x2, H4x2**

# B Cards Tray

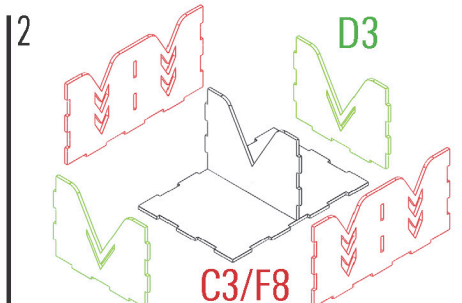


Required parts: **F9, J6x2, D3x2**

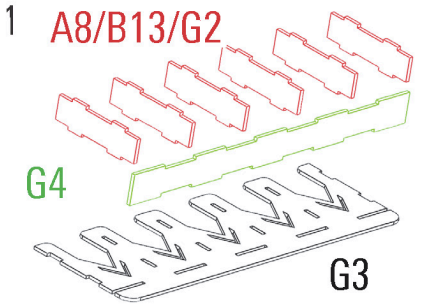
# Crew Cards



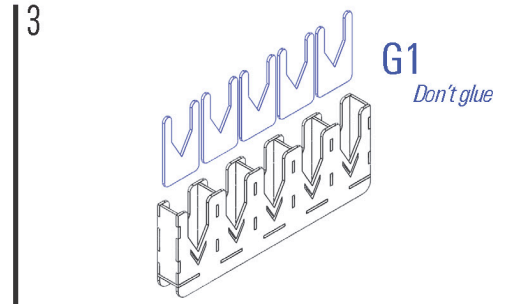
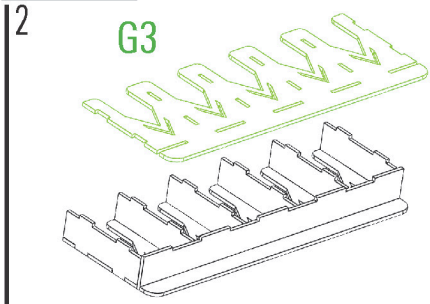
Required parts: **H2, A6, C3/F8x2, D3x2**



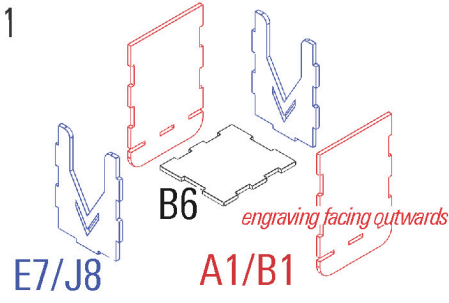
# Disc/Inju Cards



Required parts: **G3x2, G4, A8/B13/G2x6, G1x5**

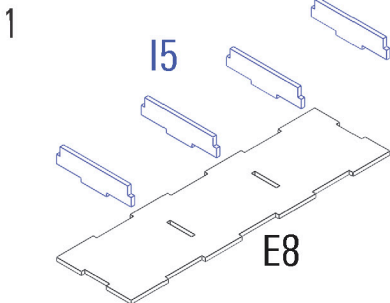


# B Small Cards

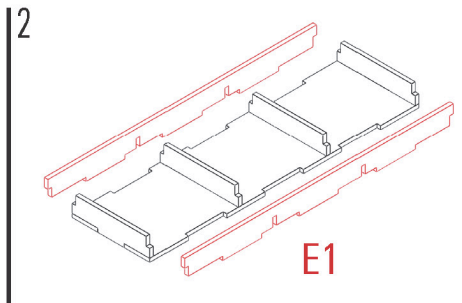


Required parts: **B6, E7/J8x2, A1/B1x2**

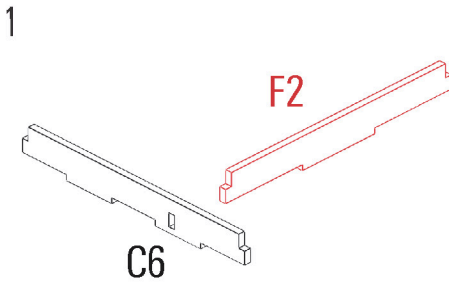
# Token Tray



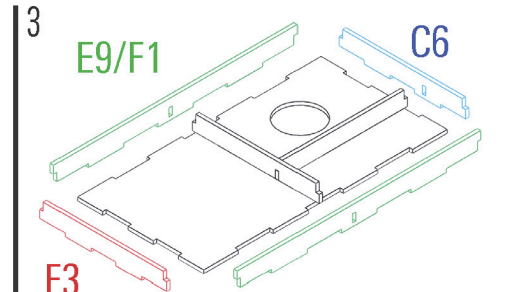
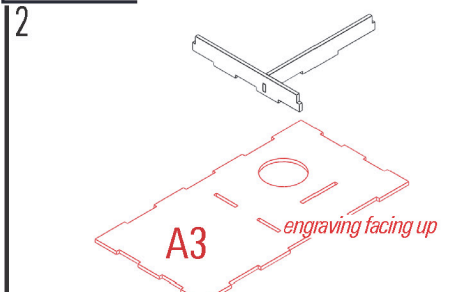
Required parts: **E8, I5x4, E1x2**



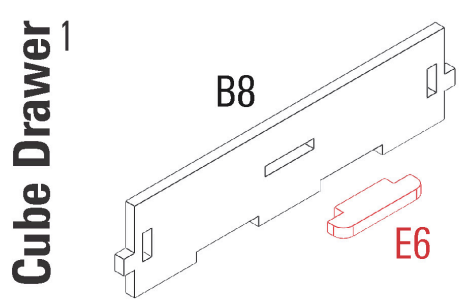
# Graveyard



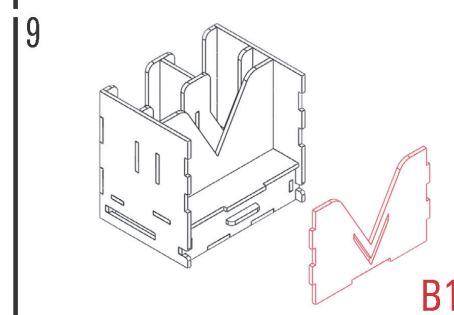
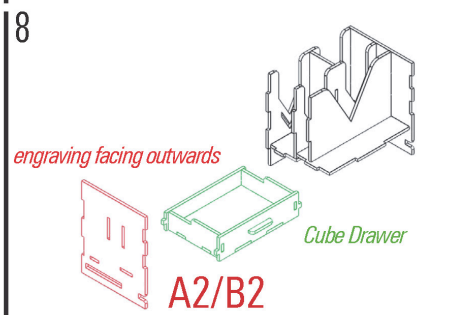
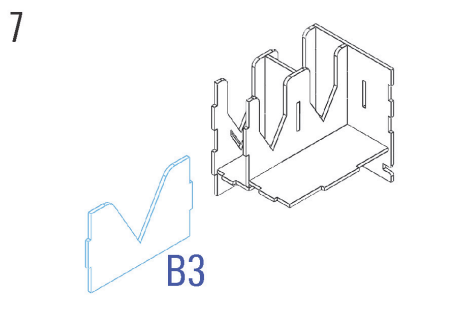
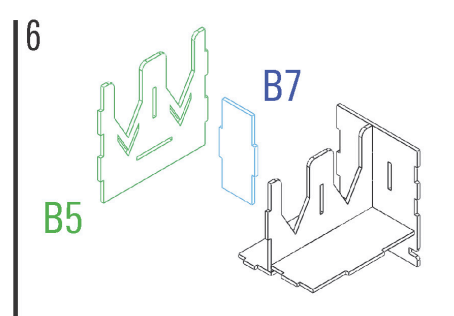
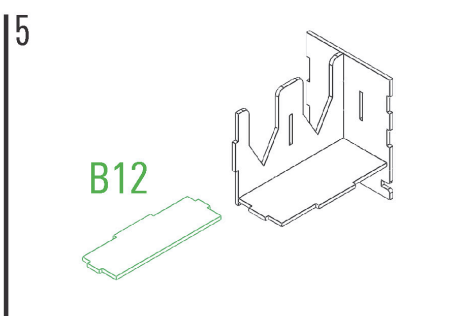
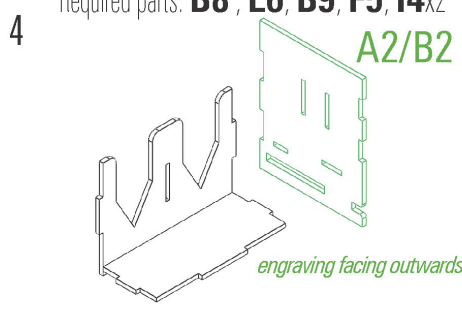
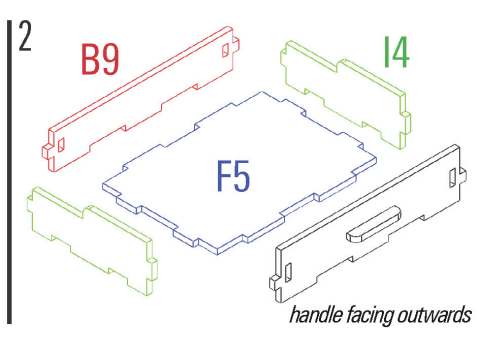
Required parts: **C6x2, F2, F3, A3, E9/F1x2**



# Secret / Tutorial Tray

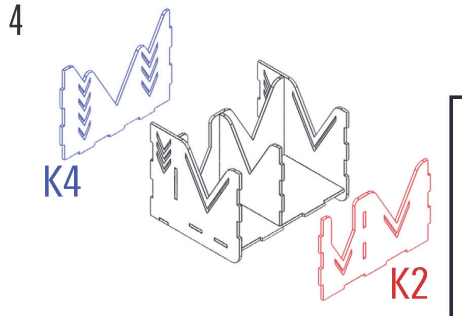
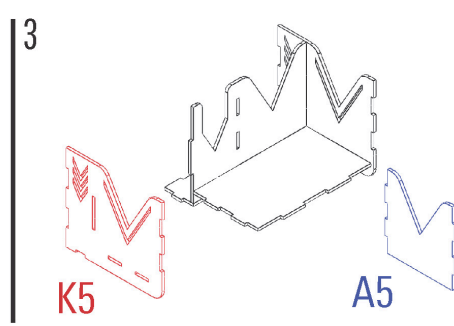
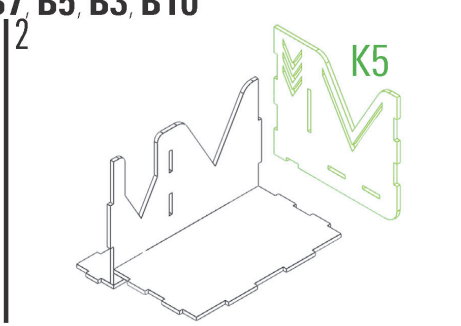
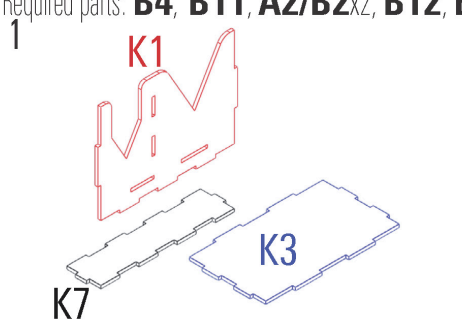


Required parts: **B8**, **E6**, **B9**, **F5**, **I4**x2



Required parts: **B4**, **B11**, **A2/B2**x2, **B12**, **B7**, **B5**, **B3**, **B10**

# Big Cards / A Cards



Required parts: **K7**, **K3**, **K1**, **K5**x2, **A5**, **K4**, **K2**

## Characters Mini

1

2

Required parts: **E3**, **E5**, **I3**x2, **L1**

## ISS Mini

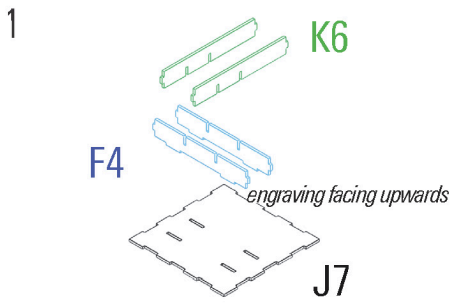
1

2

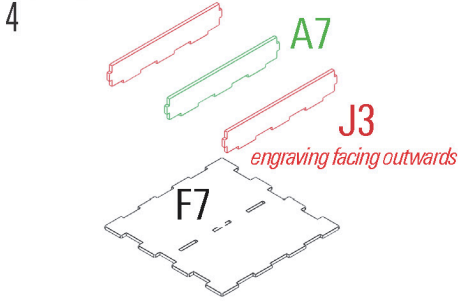
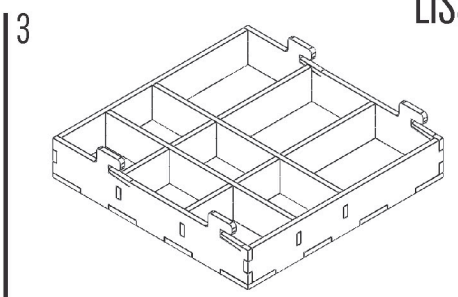
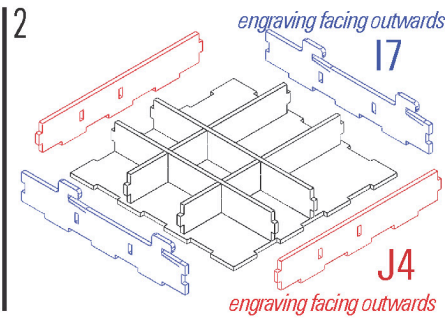
Required parts: **E2**, **E4**, **I3**x2, **N1**

# Token Tower

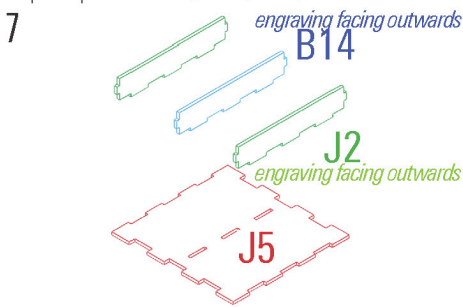
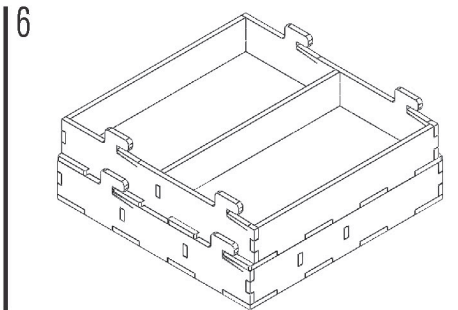
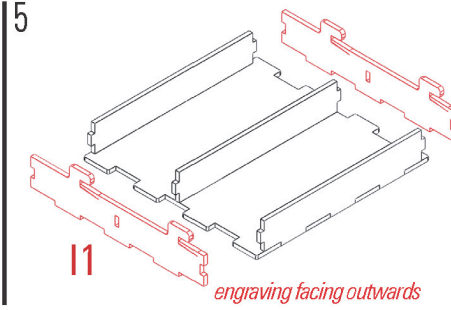
LISS III



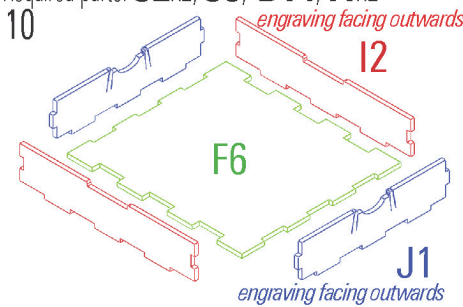
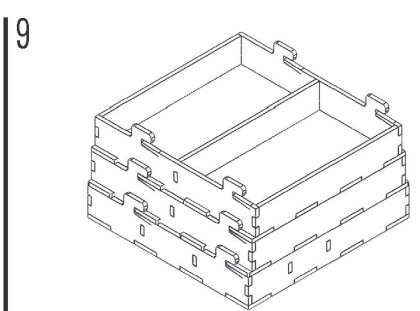
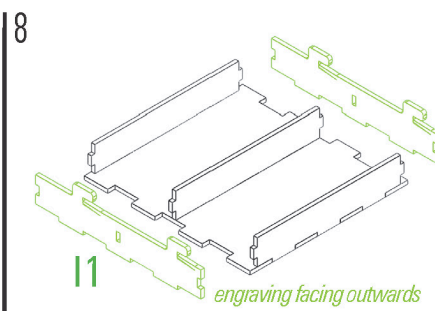
Required parts: **K6**x2, **F4**x2, **J7**, **I7**x2, **J4**x2



Required parts: **J3**x2, **A7**, **F7**, **I1**x2



Required parts: **J2**x2, **J5**, **B14**, **I1**x2



Required parts: **J1**x2, **F6**, **M1**, **I2**x2

