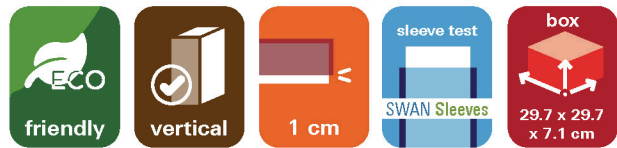


Thrones Organizer

LGOT

Compatible with A Game of Thrones: The Board Game (2ed)
Mother of Dragons, A Feast of Crows,
A Dance with Dragons expansions

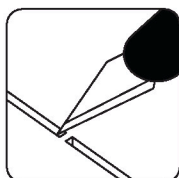
This box organizer is compatible with A Game of Thrones: The Board Game (2ed).
This product is not licensed, and is up for change at any time in the future.



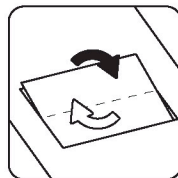
Assembly Guide



Watch our beginners guide videos on youtube. Just scan the QR code and get started!



Use an exacto knife to cut the bits connecting the parts to the frame.

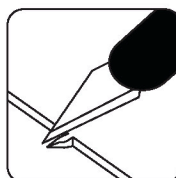


Remove the parts from the frame with a rotating motion along the axis formed by the bits you just cut.

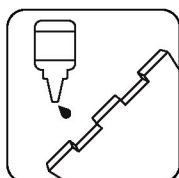


LASEROX

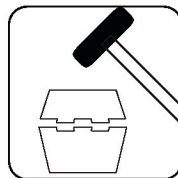
Use **wood glue** for assembly. If you encounter any issues, please contact us at info@laserox.net



Use the exacto knife to remove any of the remaining connection bits.



Most joints are press-fit, but some joints might require a drop of glue to ensure a strong bond.



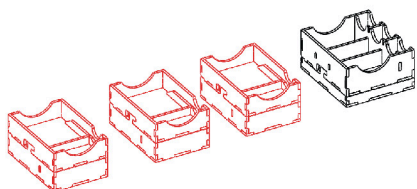
Press the parts together or use a hobby hammer with slight force for assembly.



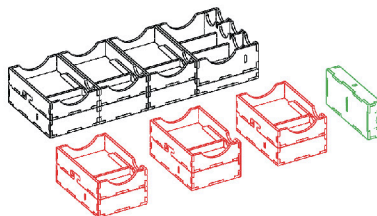
WARNING Choking hazard!
Not for children under 14 years.

Box Assembly

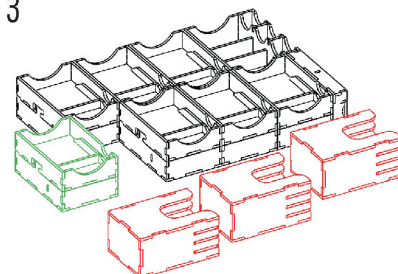
1



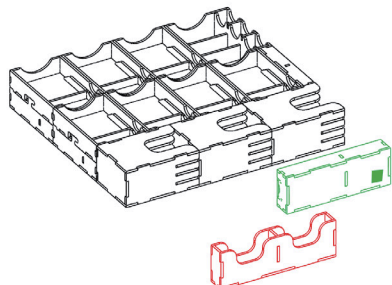
2



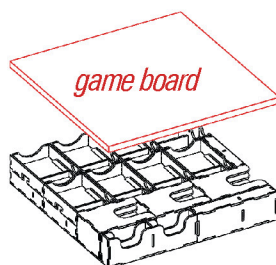
3



3



4



Share your creation!

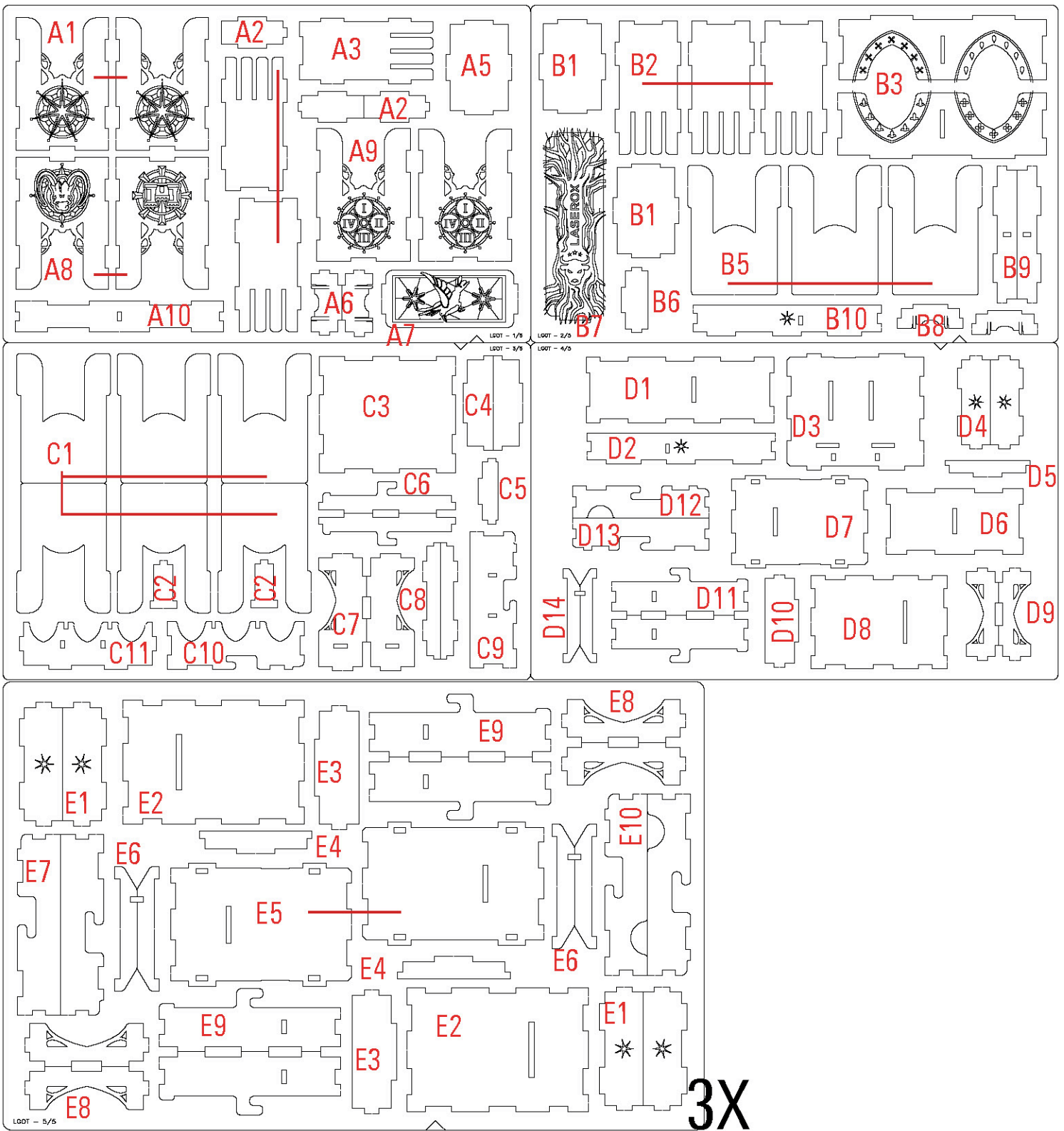


laseroxinserts

Watch our "How it fits" video and get your game organized!

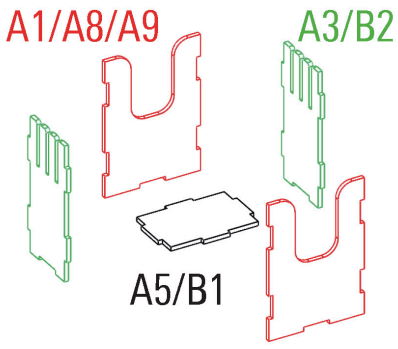


<http://tiny.cc/lrxg0t>

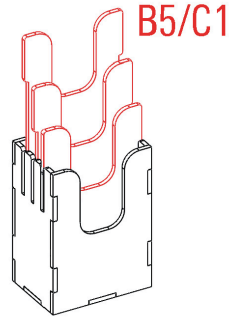


- Some parts might look different than in the assembly instructions, with added decorations/engravings/embelishments.
- Color variations or branch marks are a natural part of the birch plywood.
- The burnt smell of wood is natural and will dissipate with time.
- Rarely the laser will not cut through the complete sheet, but this can be fixed with the help of a hobby knife. If that is not possible, please contact us for a replacement!

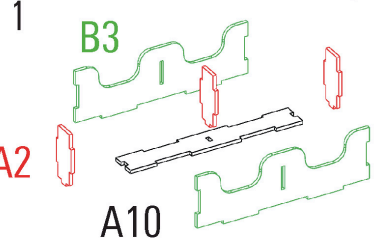
Card Holders



2



Small Card Tray



A10

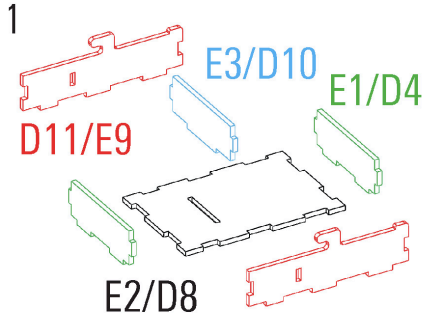
Required parts: **A10, A2x3, B3x2**

Assemble 3x

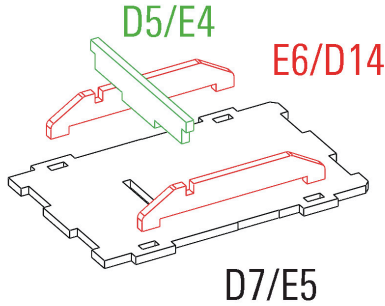
these parts are in pairs: A1, A8 and A9

Required parts: **A1/A8/A9x2, A3/B2x2, A5/B1, B5/C1**

Faction Trays

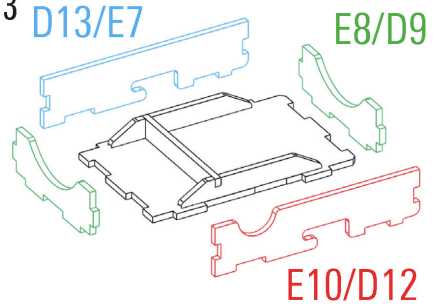


2

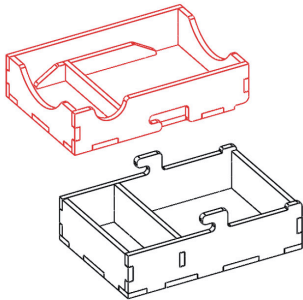


D7/E5

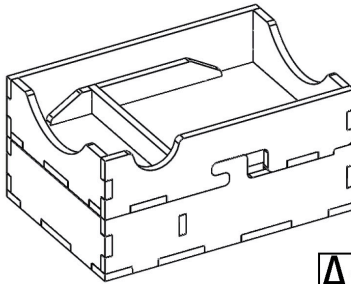
3



4



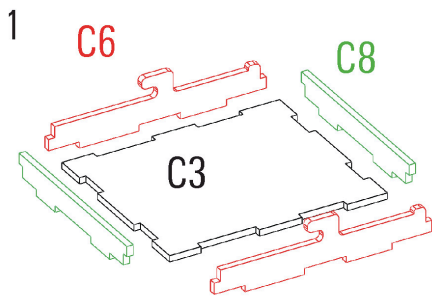
5



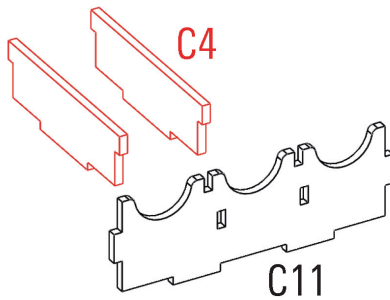
Assemble 7x

Required parts: **E2, E1x2, E3, E9x2, E5, E6x2, E4, E7, E8x2, E10**

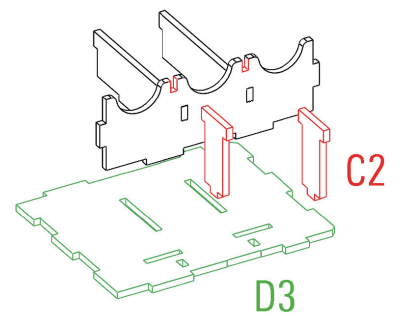
Targaryan Tray



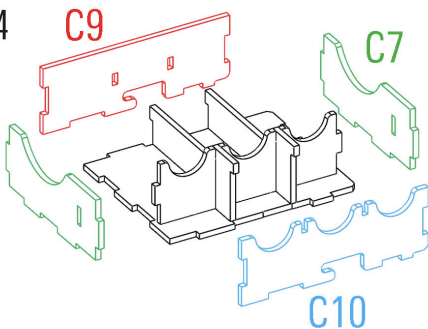
2



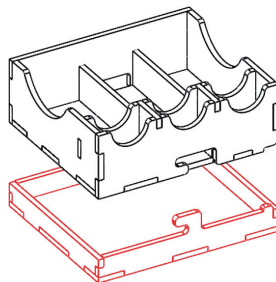
3



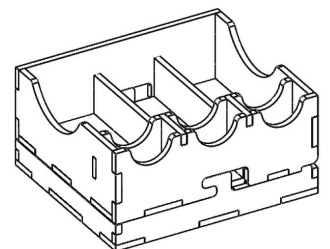
4



5

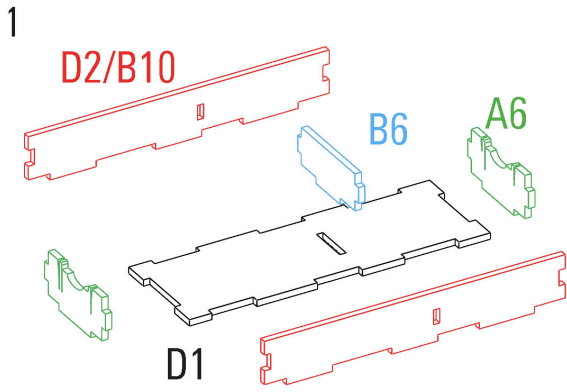


6



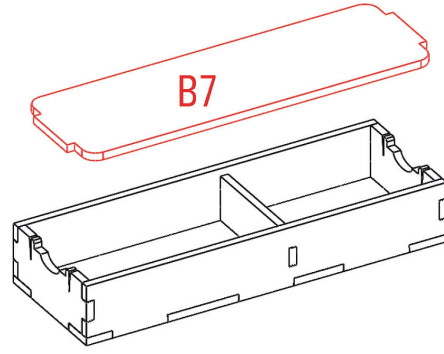
Required parts: **C3, C8x2, C6x2, C4x2, C11, D3, C2x2, C10, C9, C7x2**

Token Tray

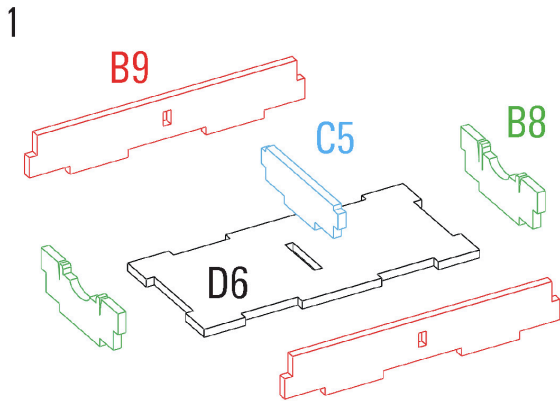


Required parts: **D1, B6, D2/B10, A6x2, B7**

2

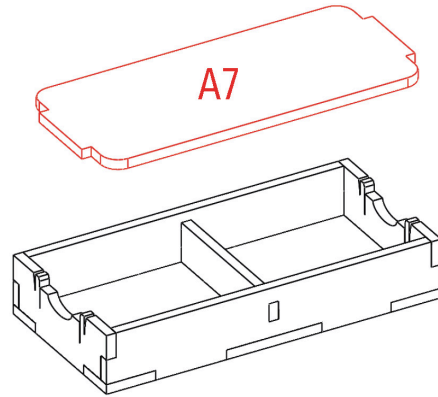


Small Token Tray



Required parts: **D6, B8x2, C5, B9x2, A7**

2



Check out our other cool organizers!

Quacks of Quedlingburg



Mansions of Madness

