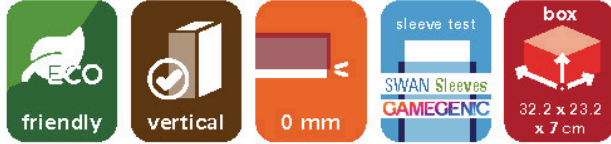


# Evacuation Organizer

LEVA

## Compatible with Evacuation

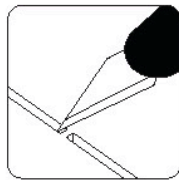
This box organizer is compatible with Evacuation.  
This product is not licensed and is up for change at any time in the future.



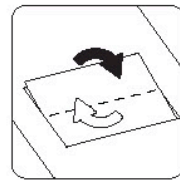
## Assembly Guide



Watch our beginners guide videos on youtube. Just scan the QR code and get started!



Use an exacto knife to cut the bits connecting the parts to the frame.

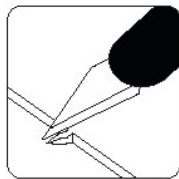


Remove the parts from the frame with a rotating motion along the axis formed by the bits you just cut.

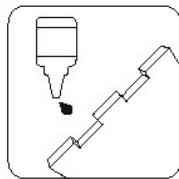


### LASEROX

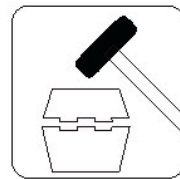
Use **wood glue** for assembly. If you encounter any issues, please contact us at [info@laserox.net](mailto:info@laserox.net)



Use the exacto knife to remove any of the remaining connection bits.



Most joints are press-fit, but some joints might require a drop of glue to ensure a strong bond.



Press the parts together or use a hobby hammer with slight force for assembly.



**WARNING:** Not a toy. Not suitable for children under 14 years of age.

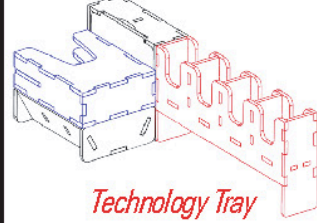
## Box Assembly

1  
*Token Tray*



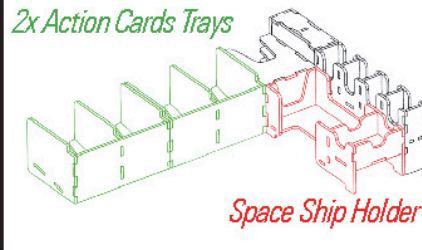
*Small Resource Tray*

2  
*Starting Cards*



*Technology Tray*

3  
*2x Action Cards Trays*



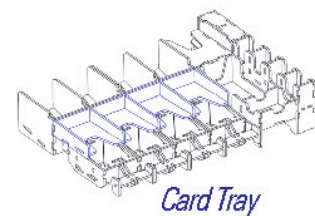
*Space Ship Holder*

4  
*4x Player Trays*



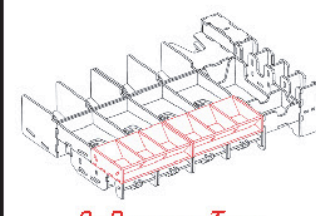
*Remove the wings and put them into the storage compartment!*

5  
*Card Tray*



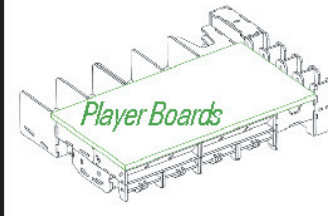
*Card Tray*

6  
*2x Resource Trays*



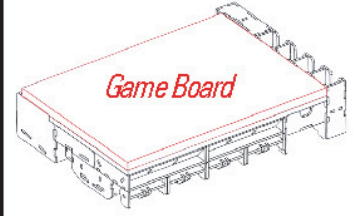
*2x Resource Trays*

7  
*Player Boards*



*Player Boards*

8  
*Game Board*



*Game Board*

### Share your creation!

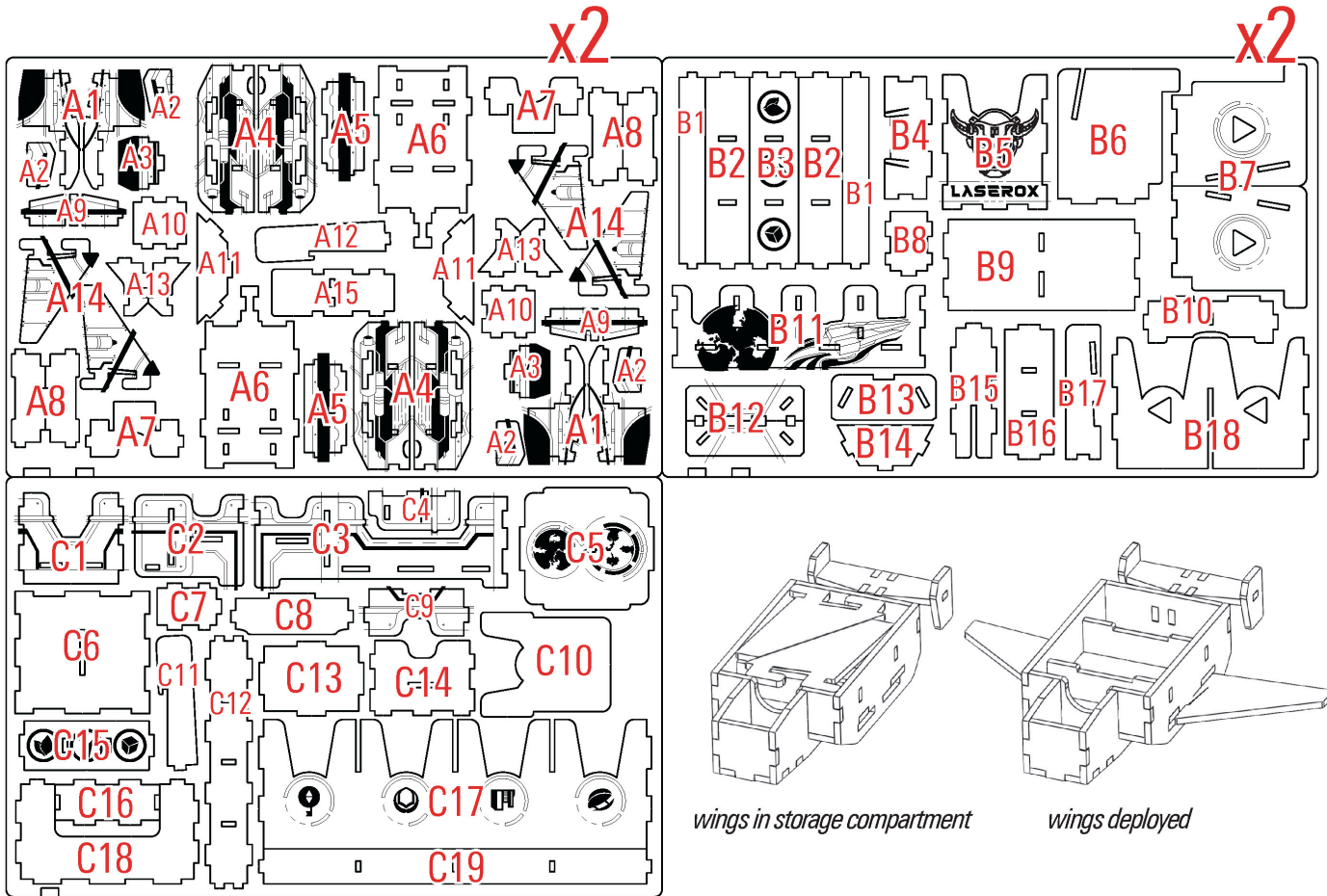


*#laseroxinserts*

Watch our "How it fits" video and get your game organized!

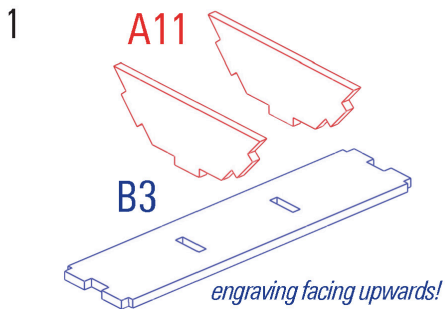


<http://tiny.cc/lrxleva>

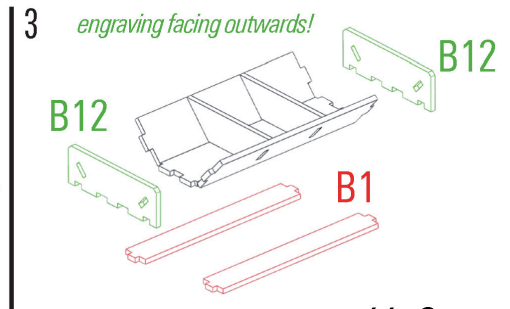
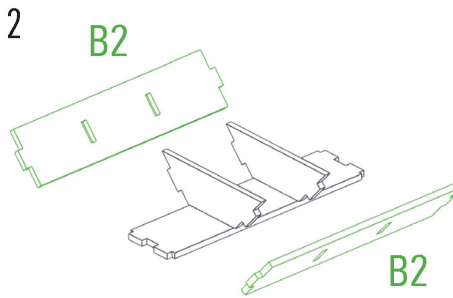


- Some parts might look different than in the assembly instructions, with added decorations/engravings/embellishments.
- Color variations or branch marks are a natural part of the birch plywood.
- The burnt smell of wood is natural and will dissipate with time.
- Rarely the laser will not cut through the complete sheet, but this can be fixed with the help of a hobby knife. If that is not possible, please contact us for a replacement!

## Resource Tray

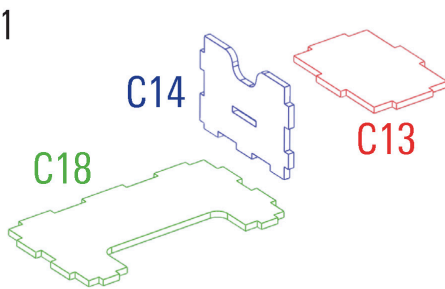


Required parts: **A11**x2, **B3**, **B2**x2, **B12**x2, **B1**x2

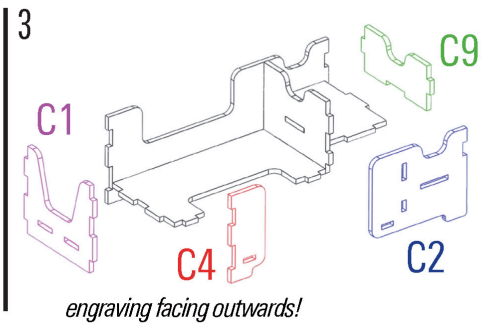
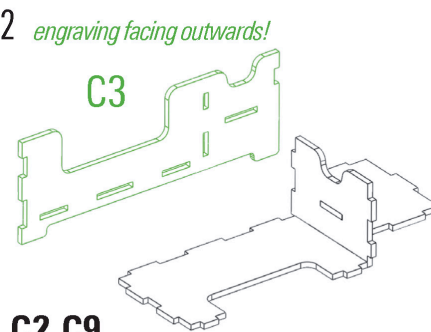


assemble 2x

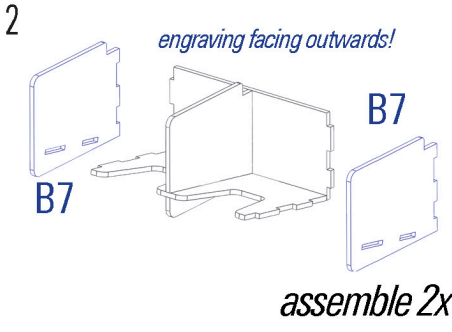
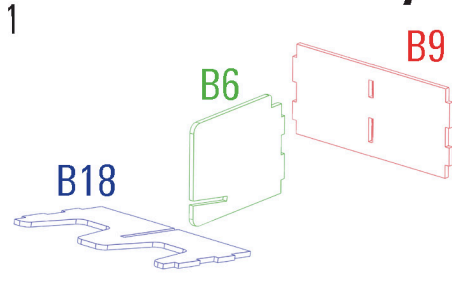
## Space Ship Holder



Required parts: **C18**, **C14**, **C13**, **C3**, **C1**, **C4**, **C2**, **C9**

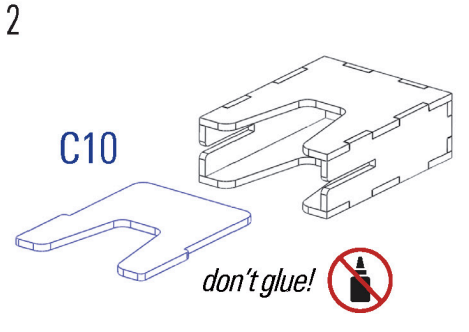
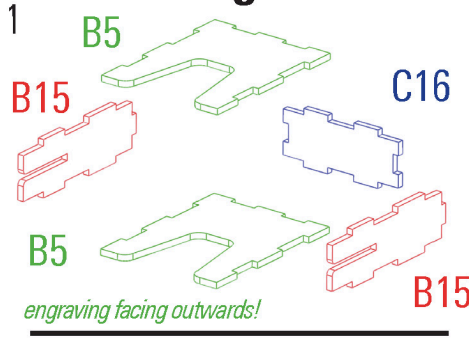


### Action Cards Tray



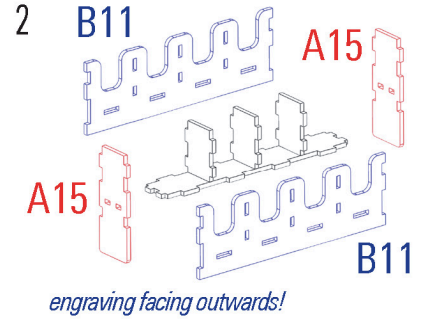
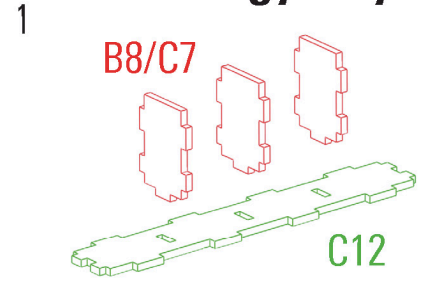
Required parts: **B18, B6, B9, B7x2**

### Starting Cards



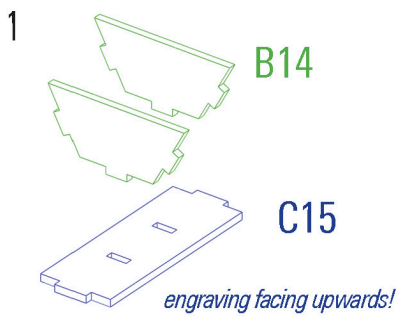
Required parts: **B15x2, C16, B5x2, C10**

### Technology Tray

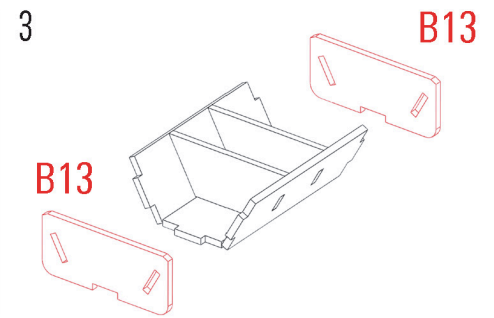
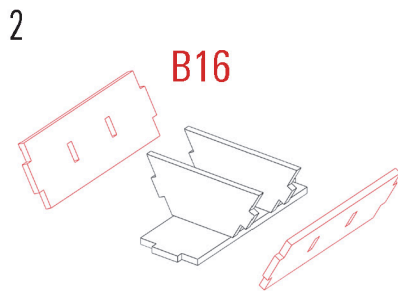


Required parts: **B8x2, C7, C12, B11x2, A15x2**

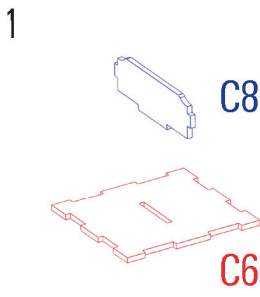
### Small Resource Tray



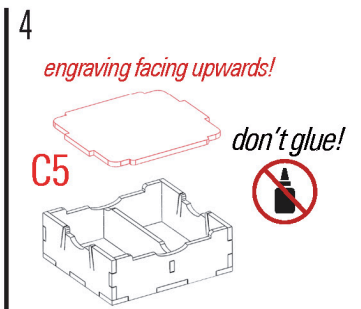
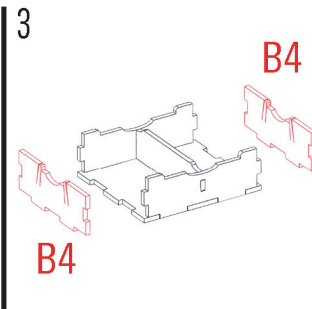
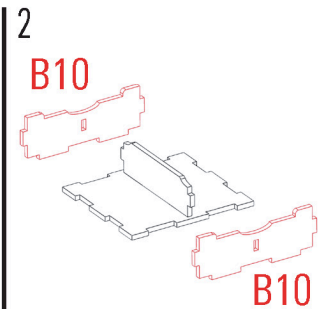
Required parts: **C15, B14x2, B16x2, B13x2**



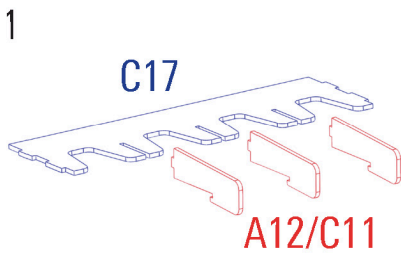
### Token Tray



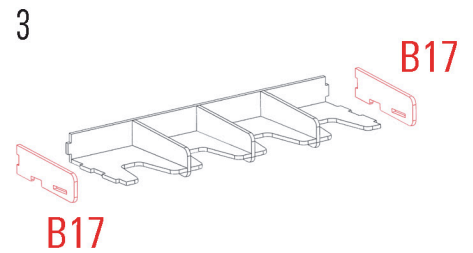
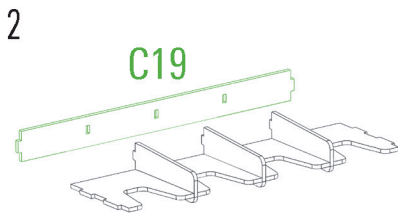
Required parts: **C6, C8, B10x2, B4x2, C5**



### Card Tray



Required parts: **C17, A12x2, C11, C19, B17x2**



# Player Tray

1  A5 <i>engraving facing A13!</i>	2  A6	3  A1 <i>engraving facing outwards!</i>	4  A8 A7
5  A4 <i>engraving facing outwards!</i>	6  A9 A10 <i>engraving facing upwards!</i>	7  A2 A3 <i>engraving facing outwards!</i>	8  A14 <i>engraving facing upwards!</i> <i>don't glue!</i>

Required parts: **A13x2, A5, A6, A1x2, A8x2, A7, A4x2, A10, A9, A3, A2x2, A14x2**

*assemble 4x*

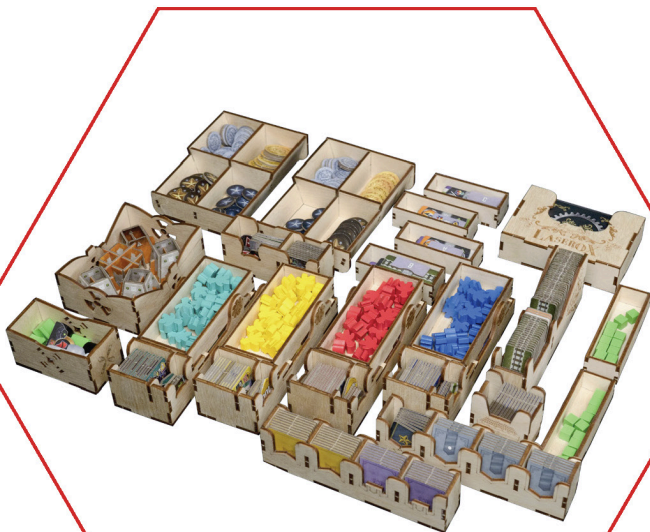


Laserox Design Ltd.  
H-2092 Budakeszi  
Tiefenweg way 39



# Check out our other cool organizers!

## ISS Vanguard Organizer



## Nucleum Organizer