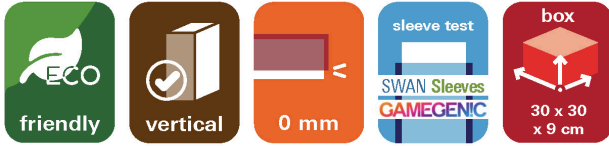


# Darwin's Journey

LDNJCE

## Darwin's Journey Collector's Edition

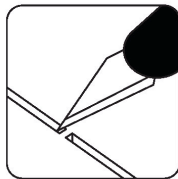
This box organizer is compatible with Darwin's Journey Collectors Edition This product is licensed by THUNDERGRYPH GAMES™, and is up for change at any time in the future.



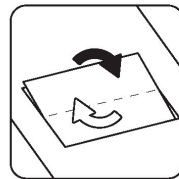
## Assembly Guide



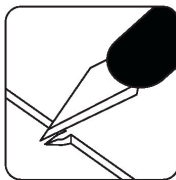
Watch our beginners guide videos on youtube. Just scan the QR code and get started!



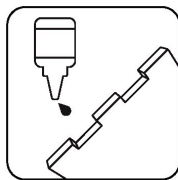
Use an exacto knife to cut the bits connecting the parts to the frame.



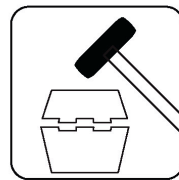
Remove the parts from the frame with a rotating motion along the axis formed by the bits you just cut.



Use the exacto knife to remove any of the remaining connection bits.



Most joints are press-fit, but some joints might require a drop of glue to ensure a strong bond.



Press the parts together or use a hobby hammer with slight force for assembly.



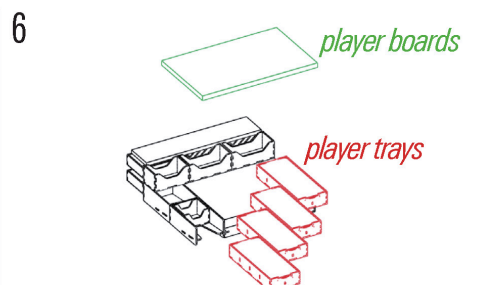
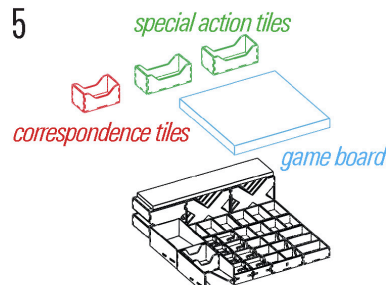
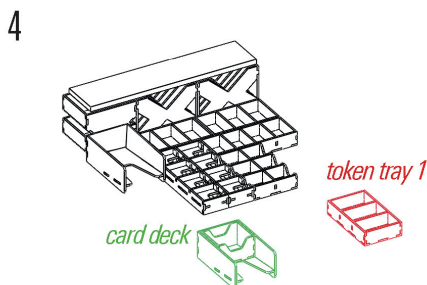
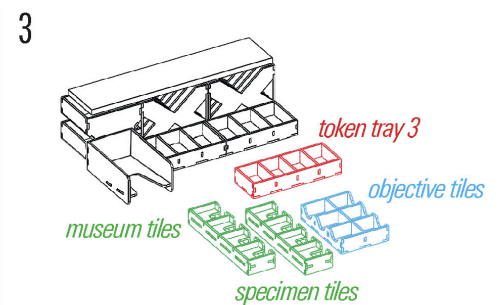
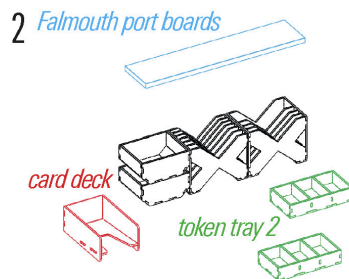
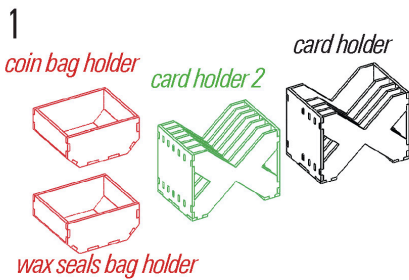
**LASEROX**

Use **wood glue** for assembly. If you encounter any issues, please contact us at [info@laserox.net](mailto:info@laserox.net)



**WARNING:** Not a toy. Not suitable for children under 14 years of age.

## Box Assembly

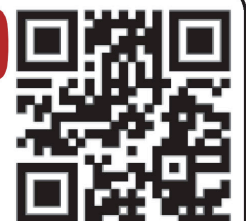


Share your creation!

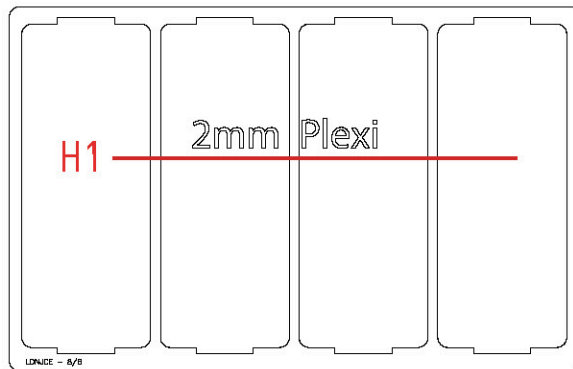
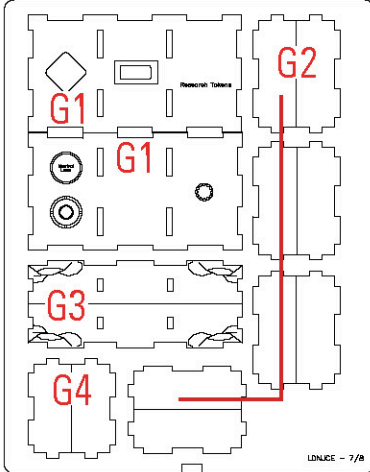
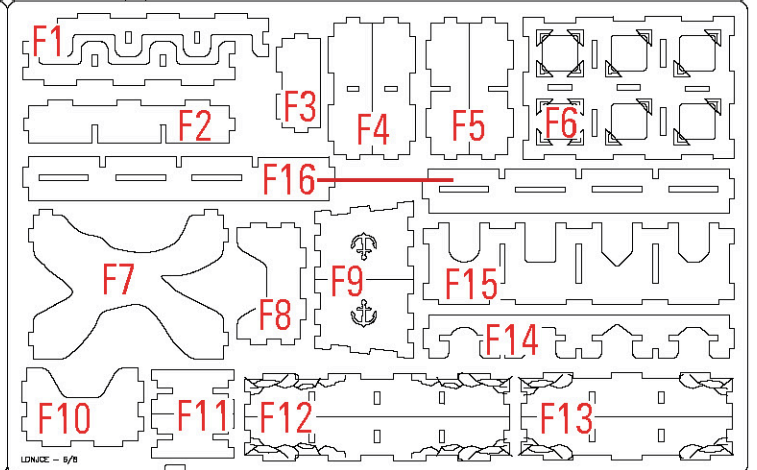
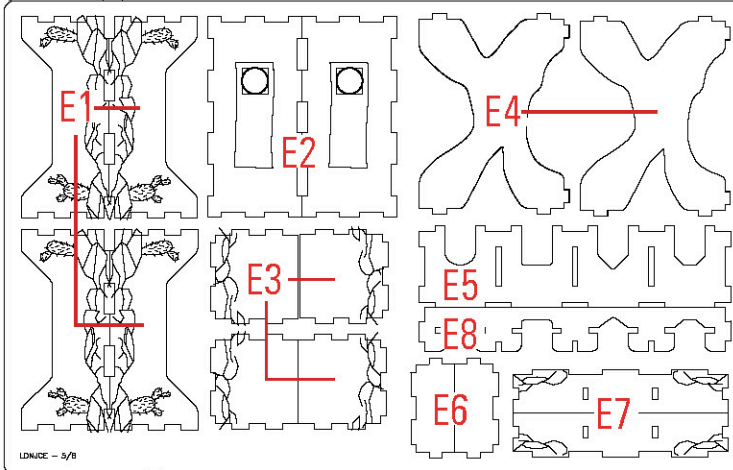
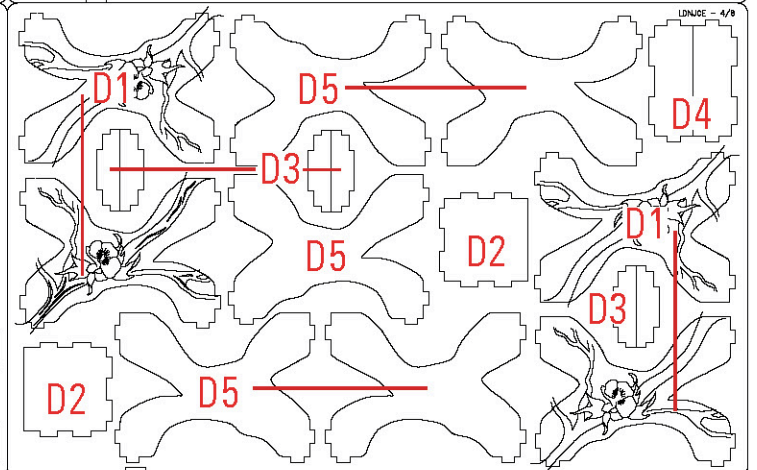
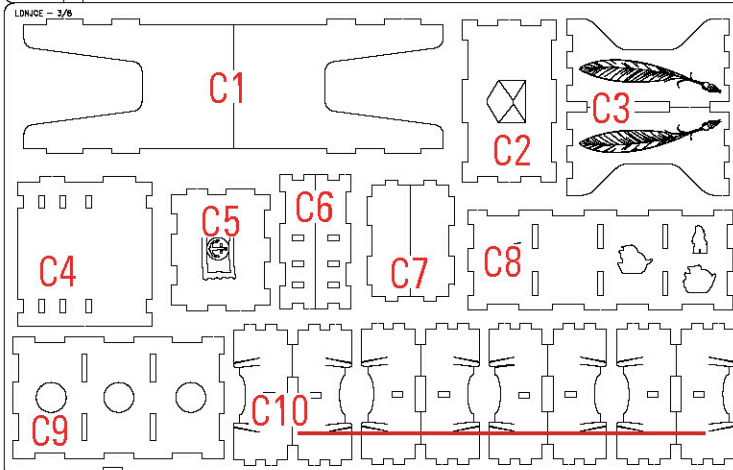
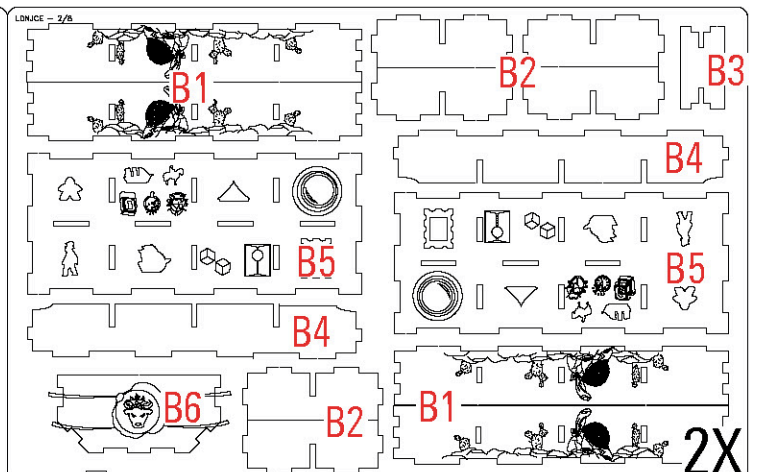
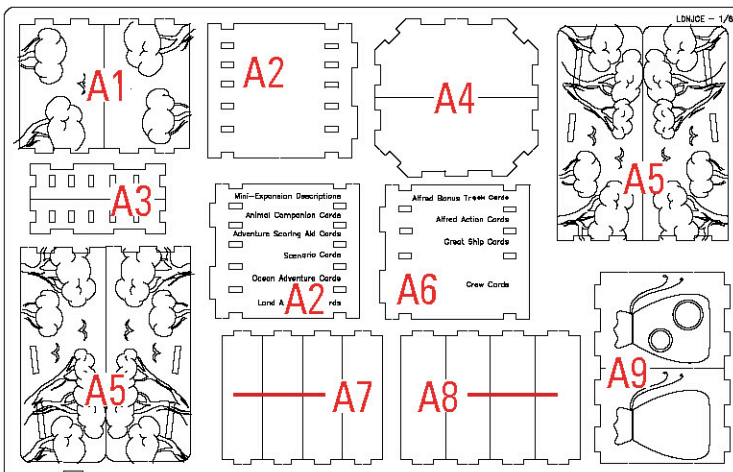


#laseroxinserts

Watch our "How it fits" video and get your game organized!



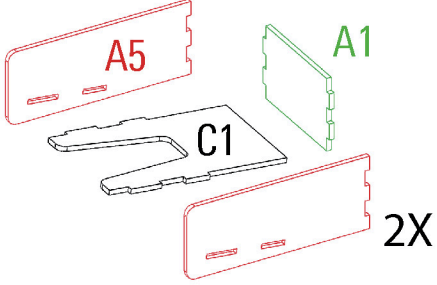
<http://tiny.cc/lsrldnjce>



- Some parts might look different than in the assembly instructions, with added decorations/engravings/embellishments.
- Color variations or branch marks are a natural part of the birch plywood.
- The burnt smell of wood is natural and will dissipate with time.
- Rarely the laser will not cut through the complete sheet, but this can be fixed with the help of a hobby knife. If that is not possible, please contact us for a replacement!

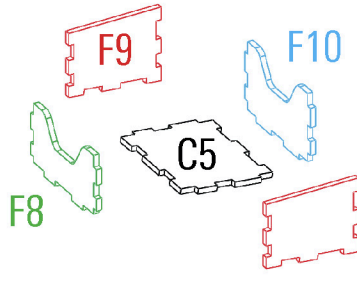
## Card Deck

engraving facing outwards

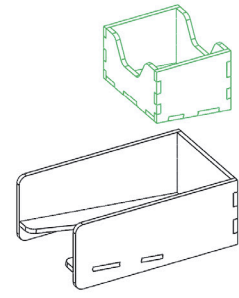


Required parts: **C5**, **F9**x2, **F8**, **F10**, **C1**, **A1**, **A5**x2

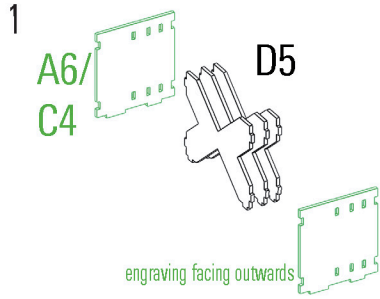
## Beagle Goal Tiles



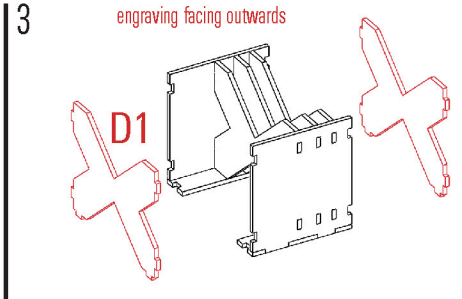
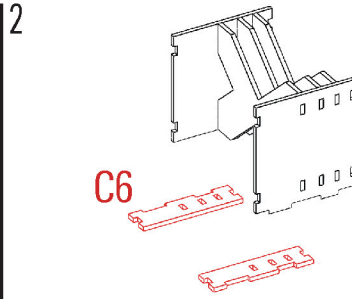
## LDNJCE III



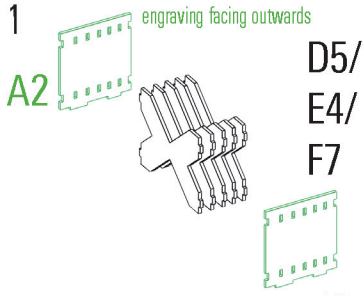
## Card Holder



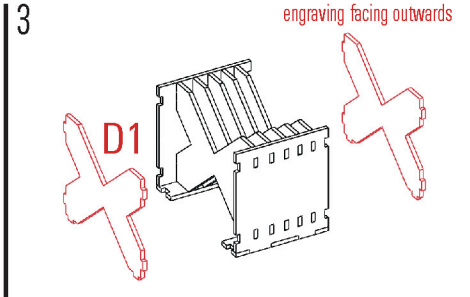
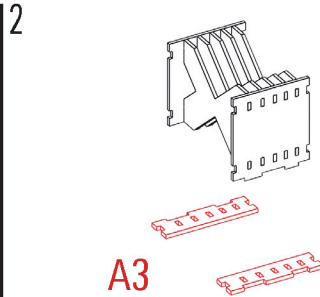
Required parts: **D5**x3, **A6/C4**x2, **C6**x2, **D1**x2



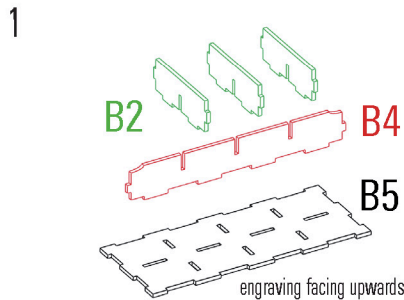
## Card Holder 2



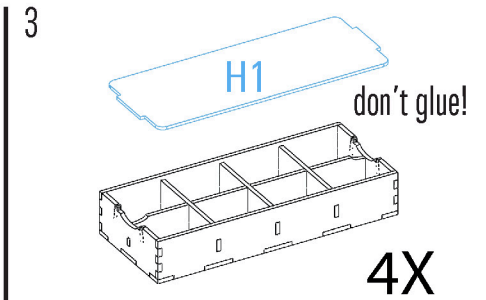
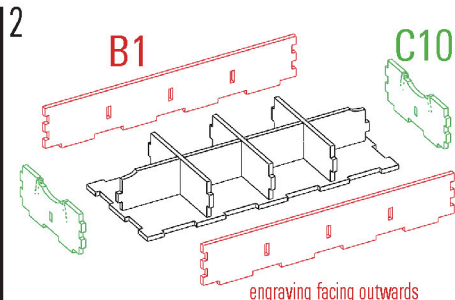
Required parts: **A2**x2, **D5/E4/F7**x5, **A3**x2, **D1**x2



## Player Tray

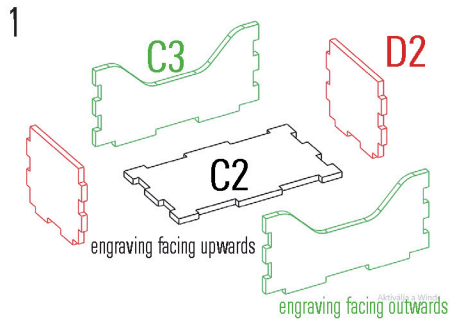


Required parts: **B5**, **B2**x3, **B4**, **B1**x2, **C10**x2, **H1**



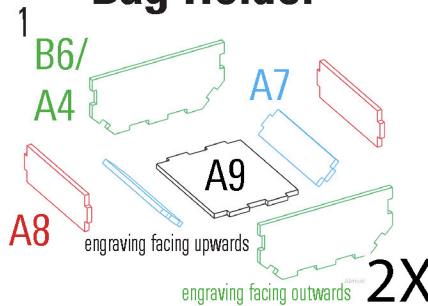
## Correspondence

### Tiles



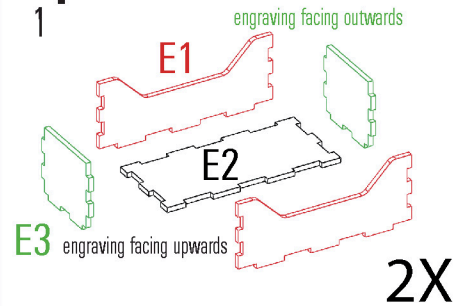
Required parts: **C2**, **C3**x2, **D2**x2

### Bag Holder



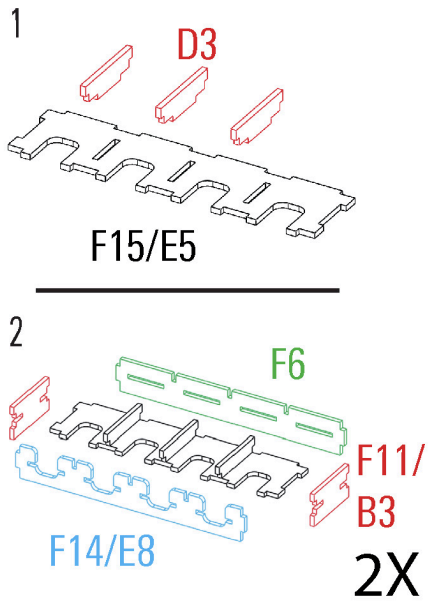
Required parts: **A9**, **A7**x2, **A8**x2, **B6/A4**x2

### Special Action Tiles



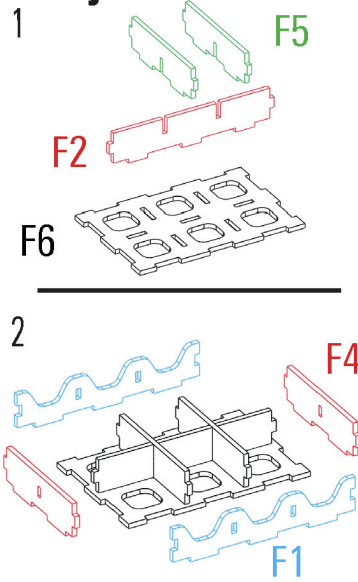
Required parts: **E2**, **E1**x2, **E3**x2

## Museum Tiles



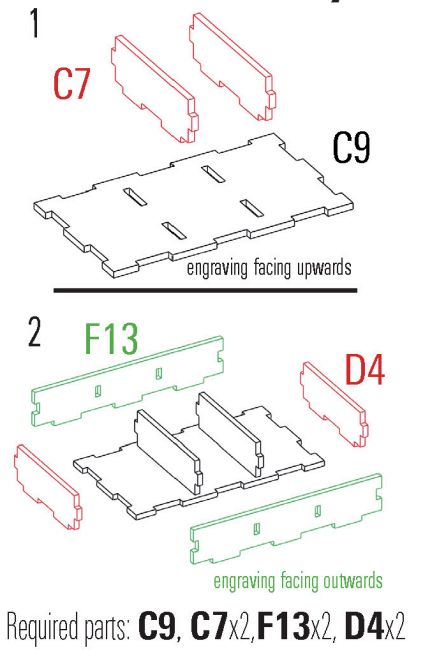
Required parts: **F15/E5**, **D3**x3, **F16**, **F14/E8**, **F11/B3**x2

## Objective Tiles



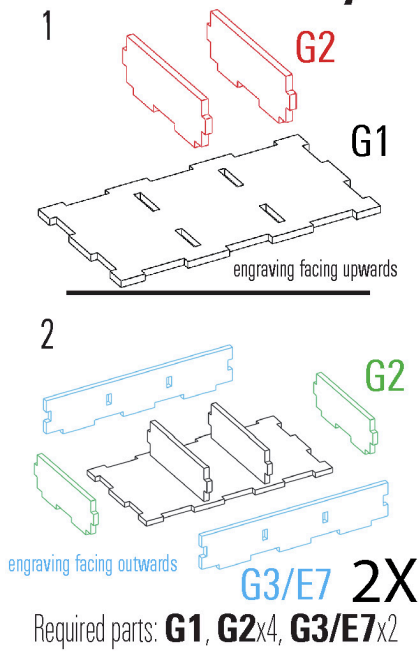
Required parts: **F6**, **F2**, **F5**x2, **F4**x2, **F1**x2

## Token Tray 1



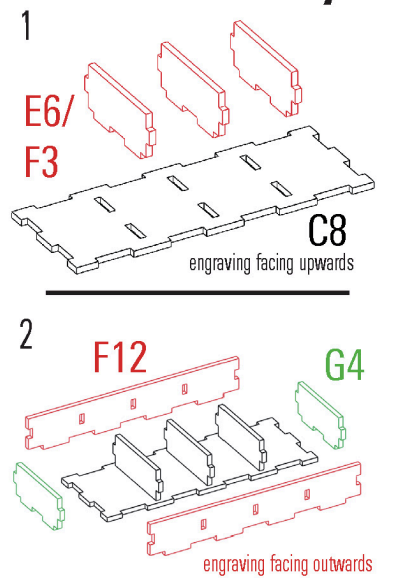
Required parts: **C9**, **C7**x2, **F13**x2, **D4**x2

## Token Tray 2



Required parts: **G1**, **G2**x4, **G3/E7**x2

## Token Tray 3



Required parts: **C8**, **E6/F3**x3, **G4**x2, **F12**x2